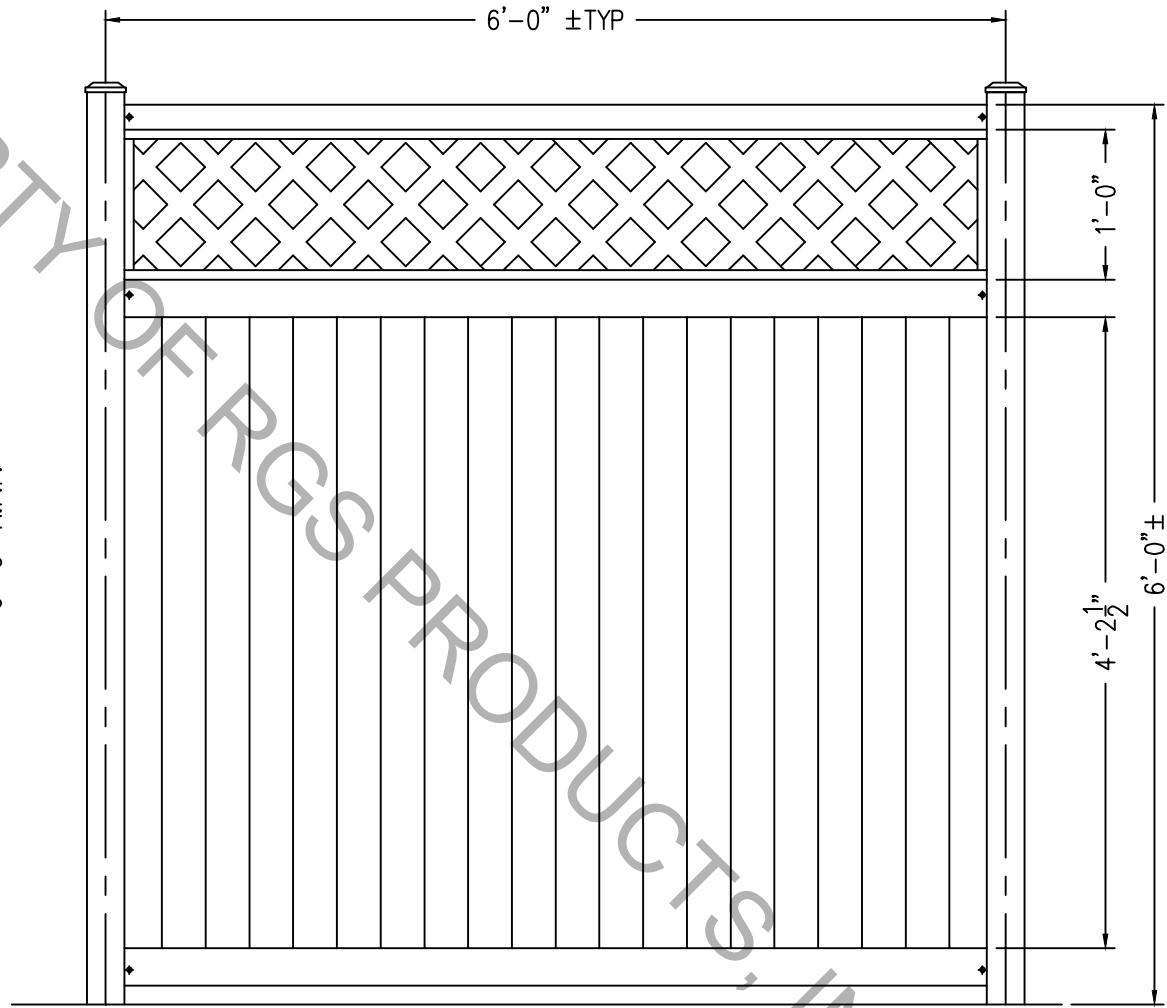


FENCE CROSS SECTION



TYPICAL FENCE ELEVATION

RAIL STYLE: LATTICE FENCE

4550 Old Meadville Rd

PH: 814.796.4515

FX: 814.796.4009

FINISH: LF-218

DWG NO. LF-218

SCALE

DATE

REV 0

SHEET

1 of 1

