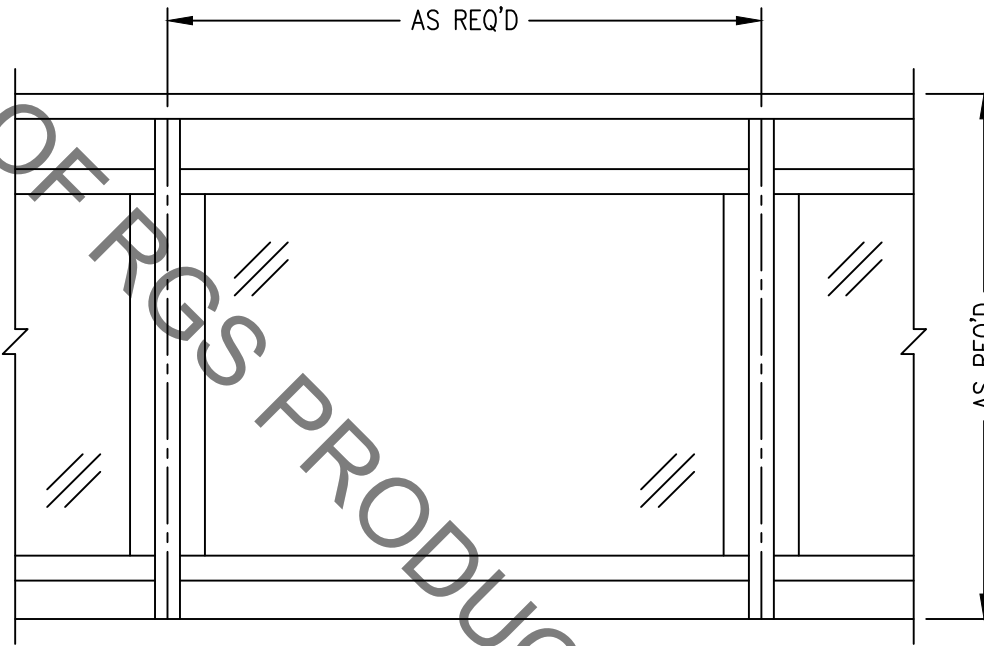


RAILING CROSS SECTION



TYPICAL RAILING ELEVATION

RAIL STYLE: CLEARVIEW PROGRESSIVE

4550 Old Meadville Rd

PH: 814.796.4515

FX: 814.796.4009

FINISH

DWG NO. CP-020-2-175

REV 0

SCALE

DATE

SHEET

1 of 1



TC-022 ALUM TOP CAP
2 1/4" W. x 1 7/16" H.

WELD TOP CAP
TO POST

GCH-175 ALUM
GLAZING TUBE
1 3/4" W. x 1 1/8" H.
WELDED TO POST

GLAZING GASKET
BOTH SIDES

1/4" OR 3/8"
TEMPERED GLASS

PS-212 ALUM POST
2" SQ x 1/8" WALL

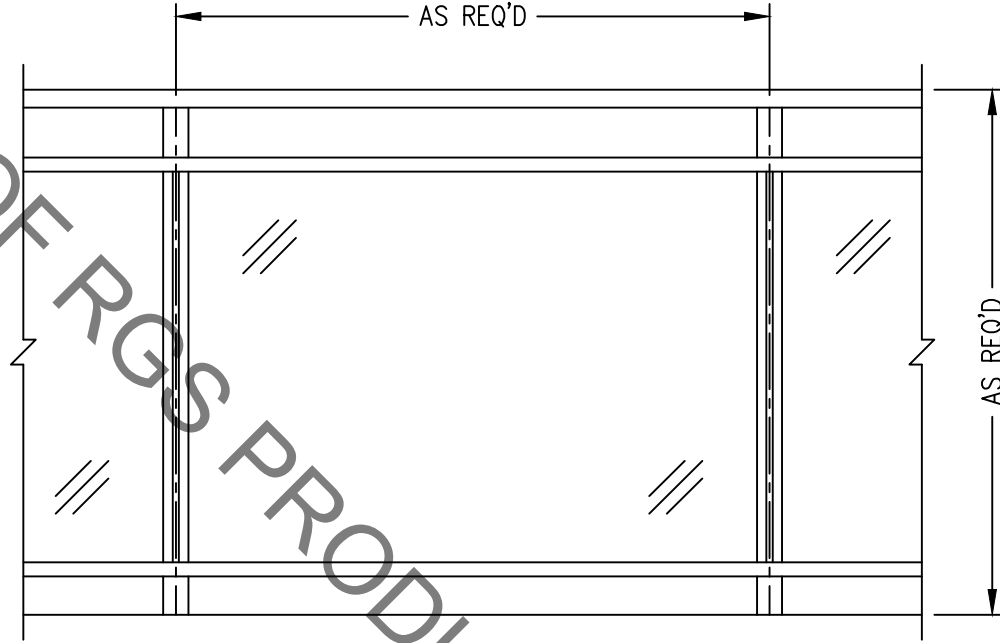
GLAZING GASKET
BOTH SIDES

1/2" x 1/2" x 2" LG
SETTING BLOCK
2-PER GLASS PANEL

GCH-175 ALUM
GLAZING TUBE
1 3/4" W. x 1 1/8" H.
WELDED TO POST

ø5/16" VENT HOLE

RAILING CROSS SECTION



TYPICAL RAILING ELEVATION

RAIL STYLE: CLEARVIEW PROGRESSIVE W/OFFSET GLASS

FINISH DWG NO. CPO-022-175 REV 0

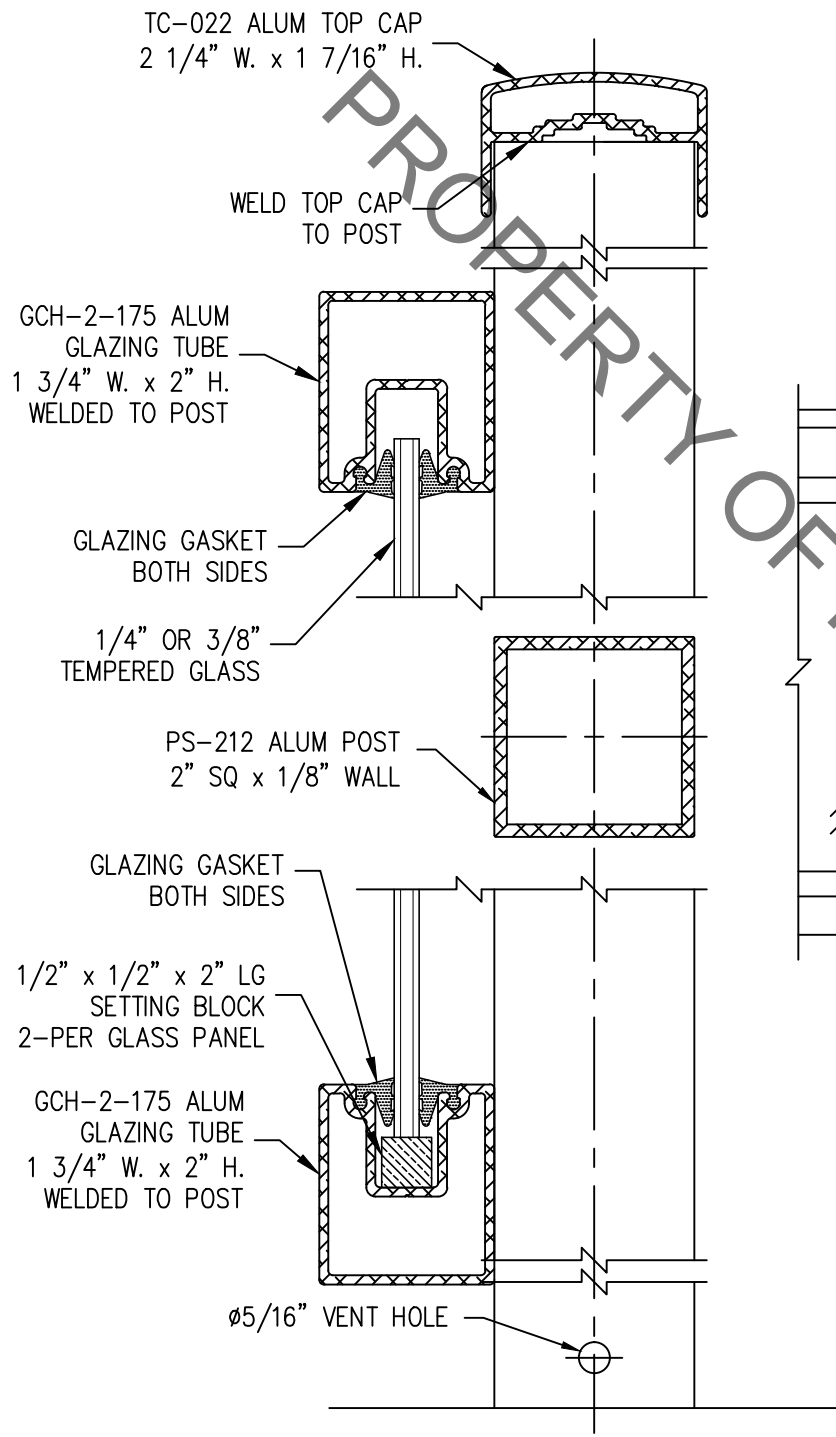
SCALE DATE SHEET 1 of 1

4550 Old Meadville Rd

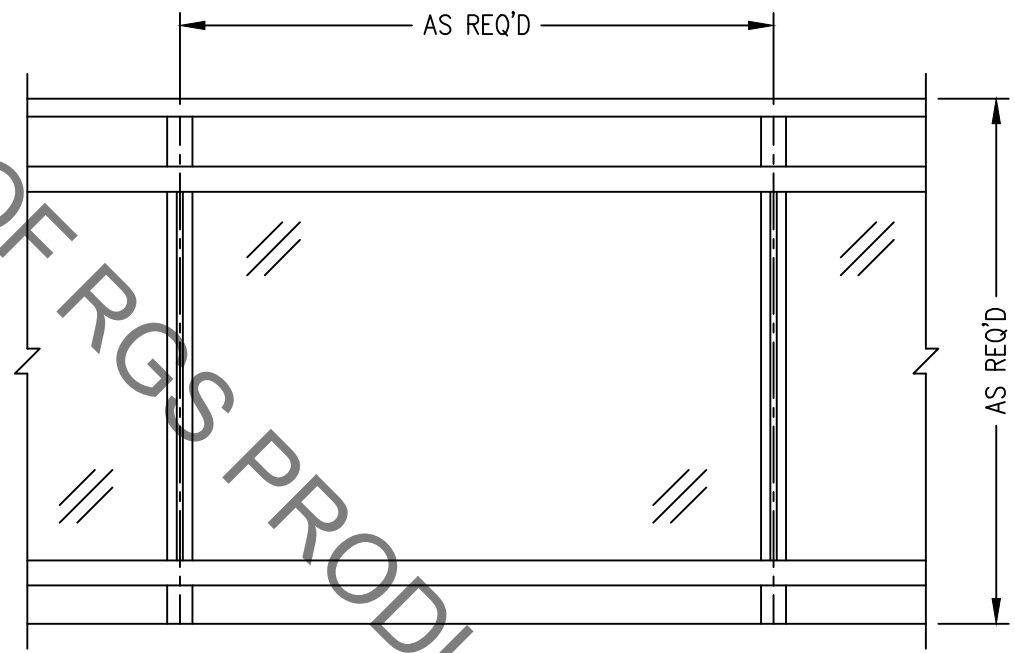
PH: 814.796.4515

FX: 814.796.4009




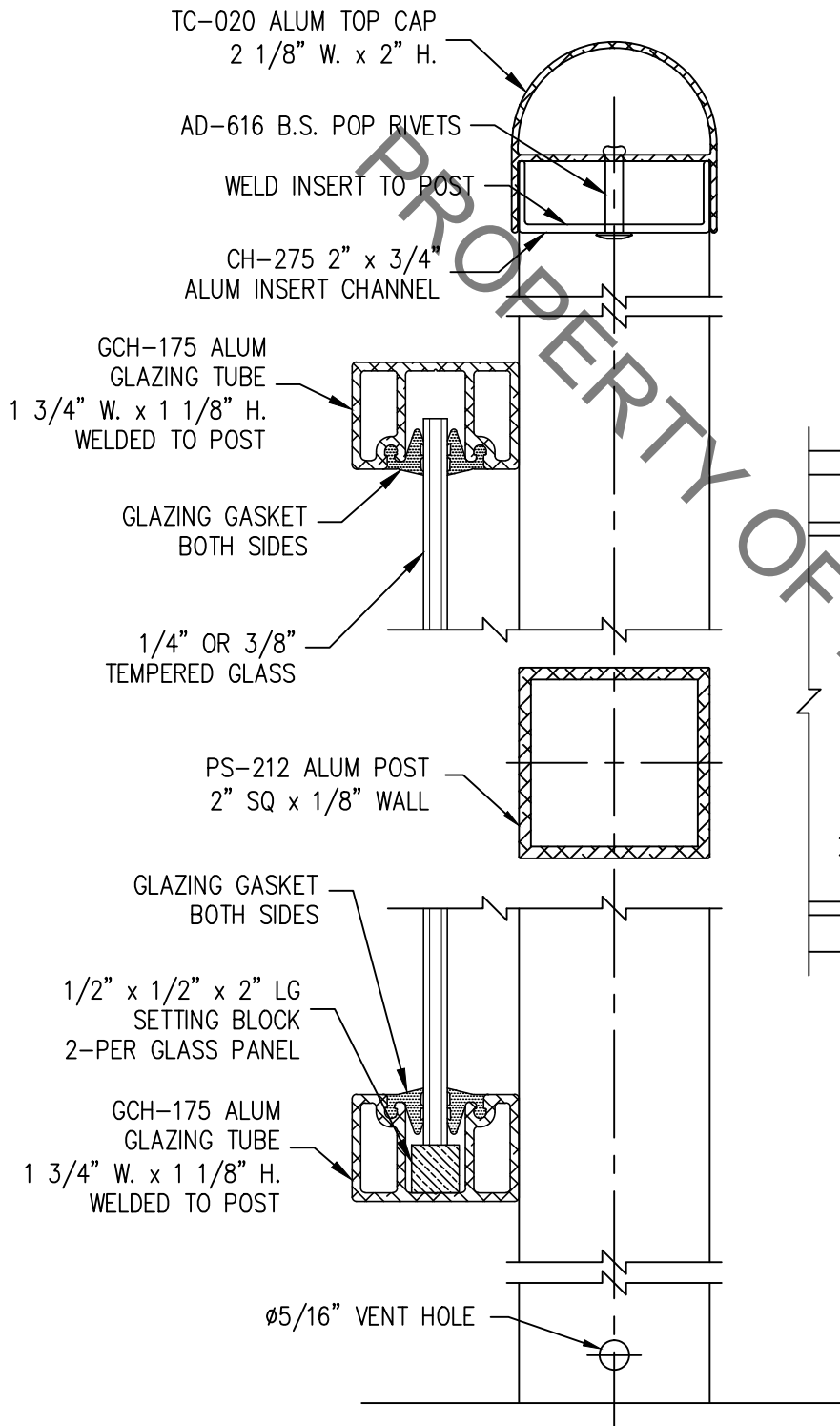


RAILING CROSS SECTION

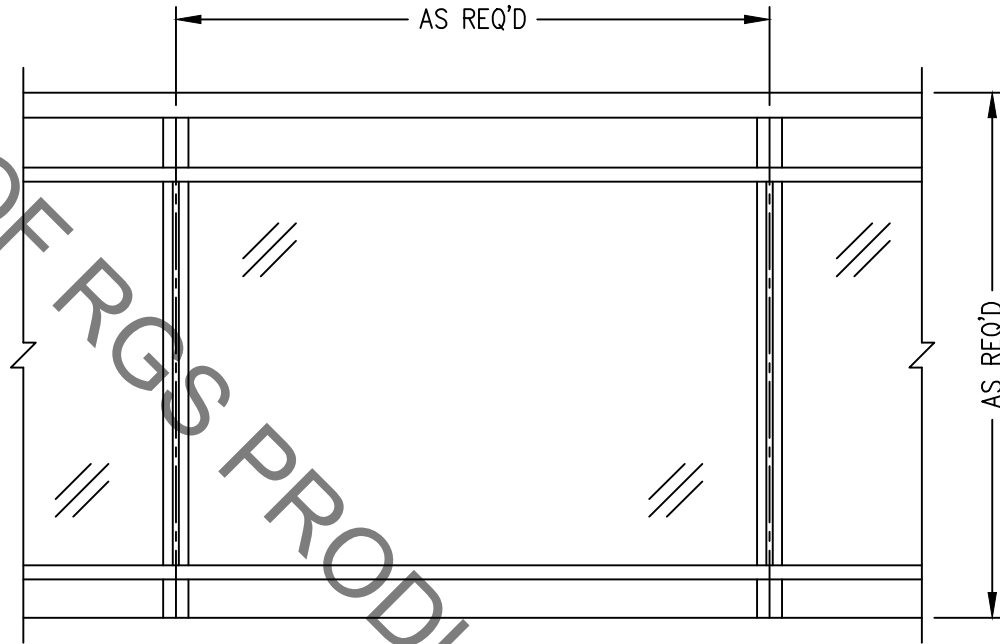


TYPICAL RAILING ELEVATION

RAIL STYLE: CLEARVIEW PROGRESSIVE W/OFFSET GLASS		REV 0	1 of 1
4550 Old Meadville Rd		DWG NO. CPO-022-2-175	SHEET
PH: 814.796.4515	FX: 814.796.4009	DATE	1 of 1
		FINISH	SCALE



RAILING CROSS SECTION



TYPICAL RAILING ELEVATION

RAIL STYLE: CLEARVIEW PROGRESSIVE W/OFFSET GLASS

FINISH DWG NO. CPO-020-175 REV 0

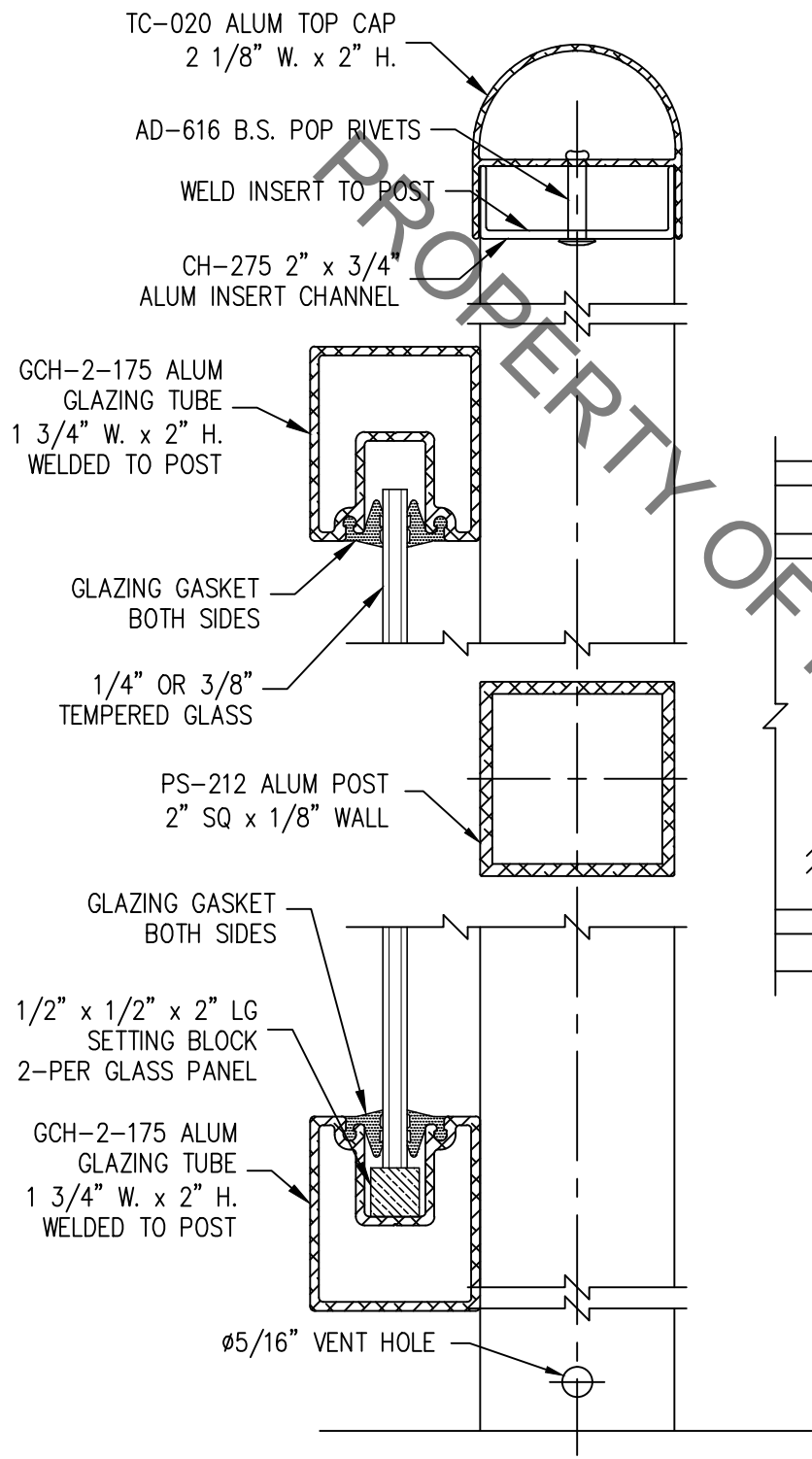
SCALE DATE SHEET 1 of 1

4550 Old Meadville Rd

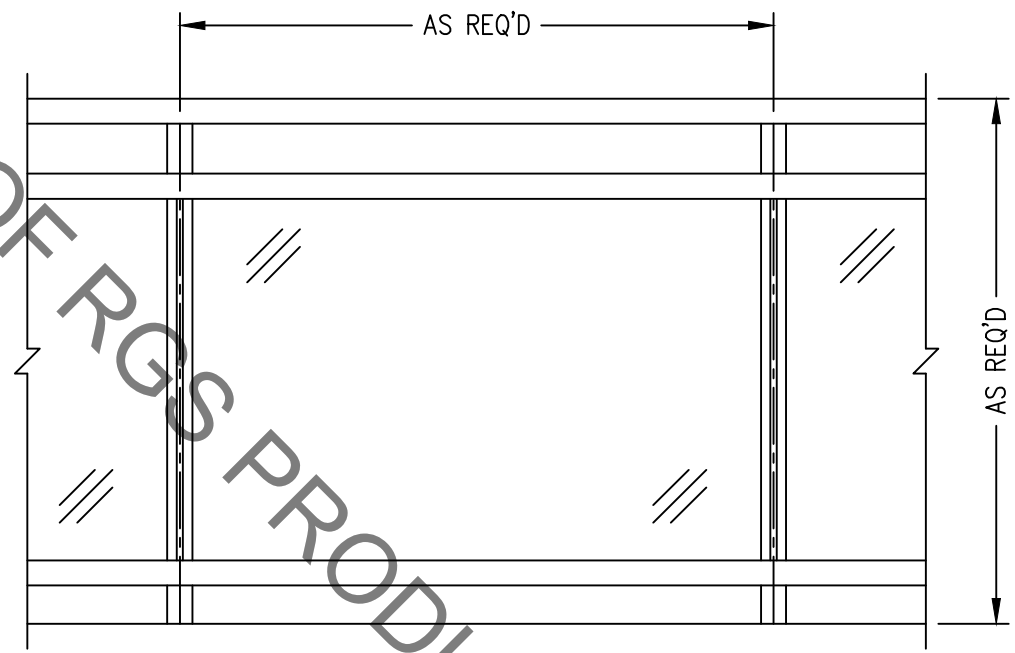
PH: 814.796.4515

FX: 814.796.4009



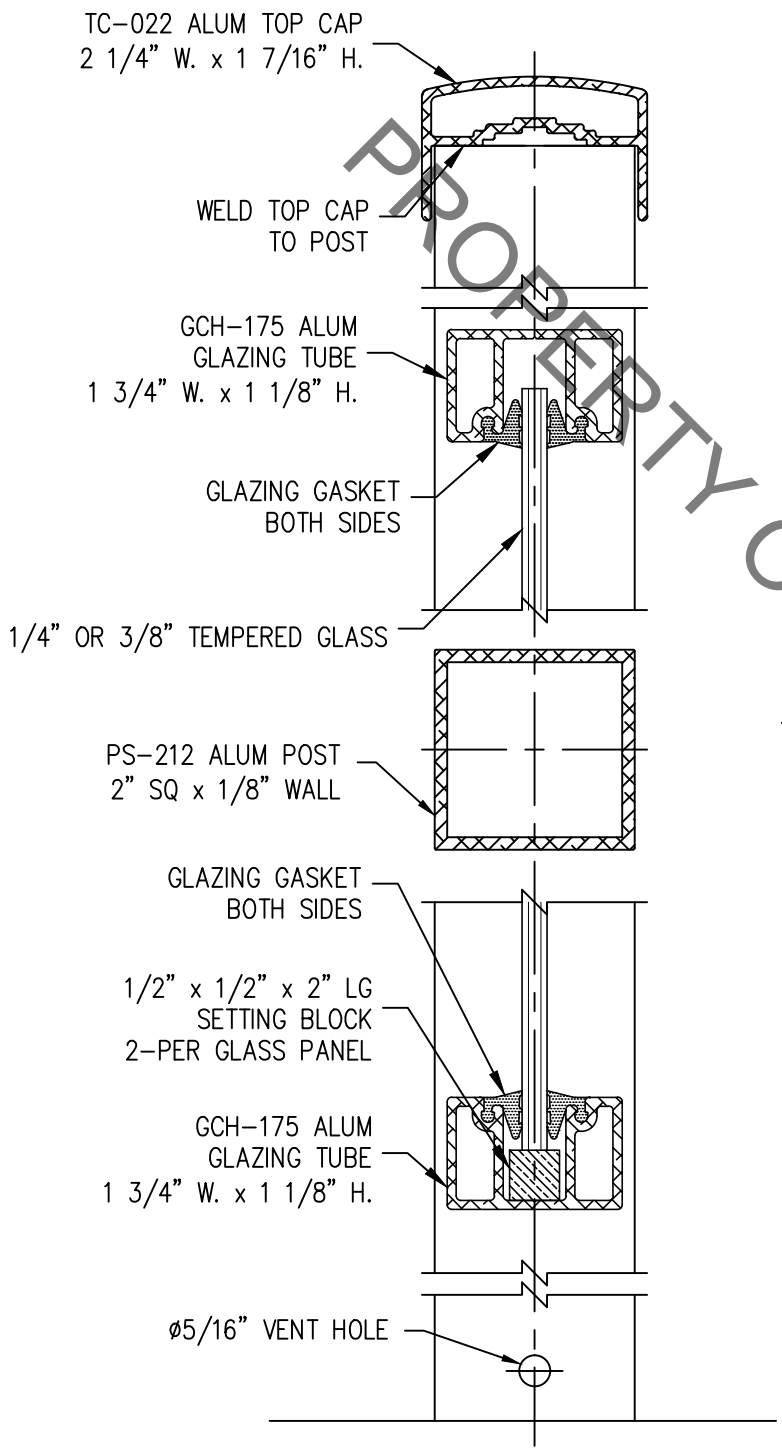


RAILING CROSS SECTION

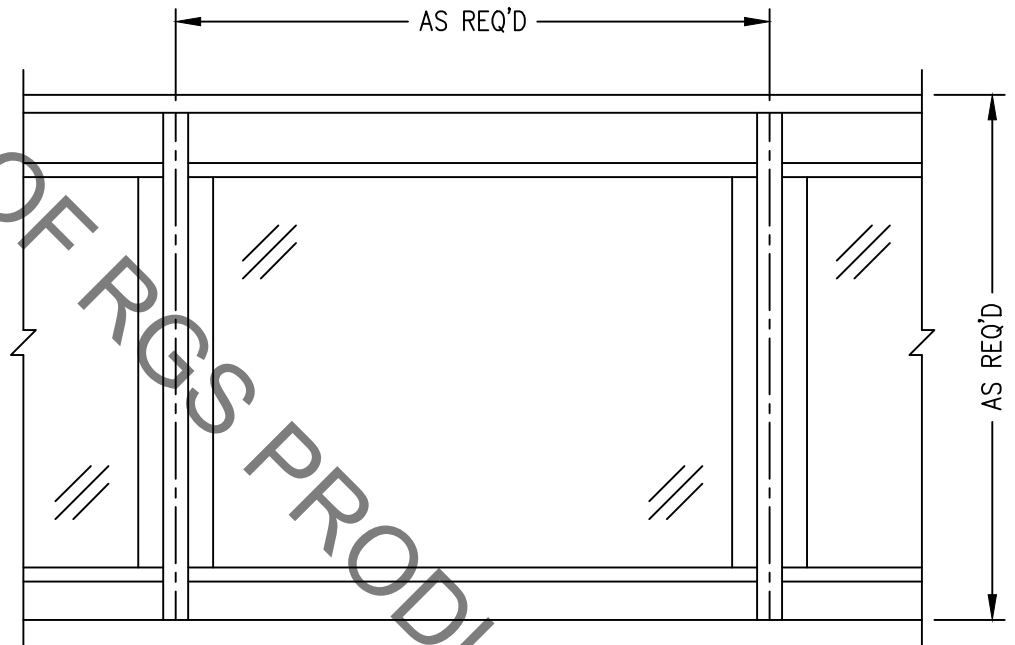


TYPICAL RAILING ELEVATION

RAIL STYLE: CLEARVIEW PROGRESSIVE W/OFFSET GLASS		FINISH	DWG NO. CPO-020-2-175	REV 0
4550 Old Meadville Rd		PH: 814.796.4515	DATE	
PH: 814.796.4515		FX: 814.796.4009	SCALE	SHEET 1 of 1

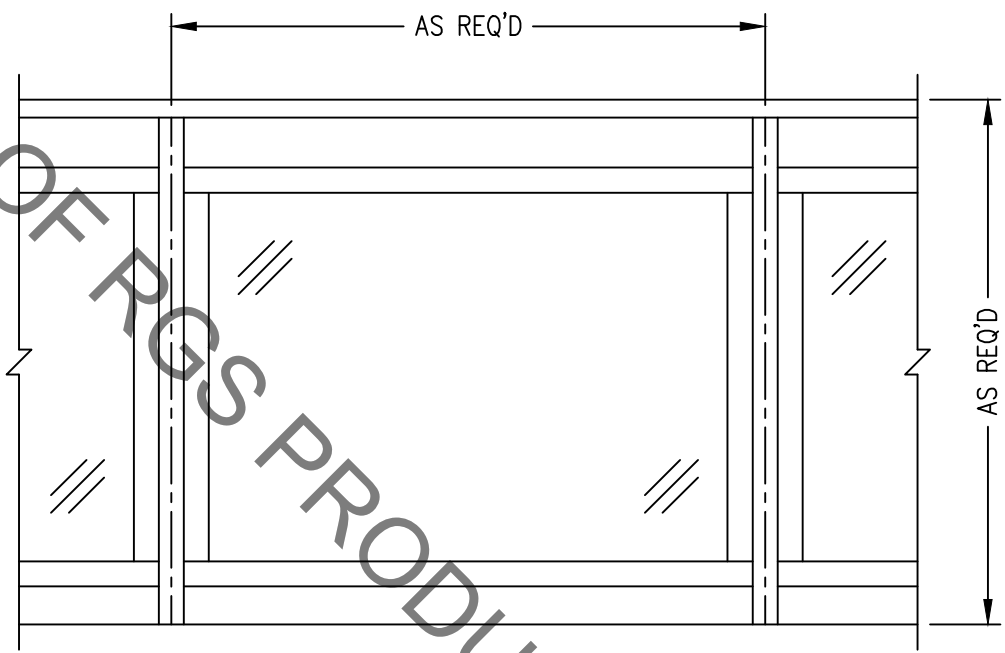
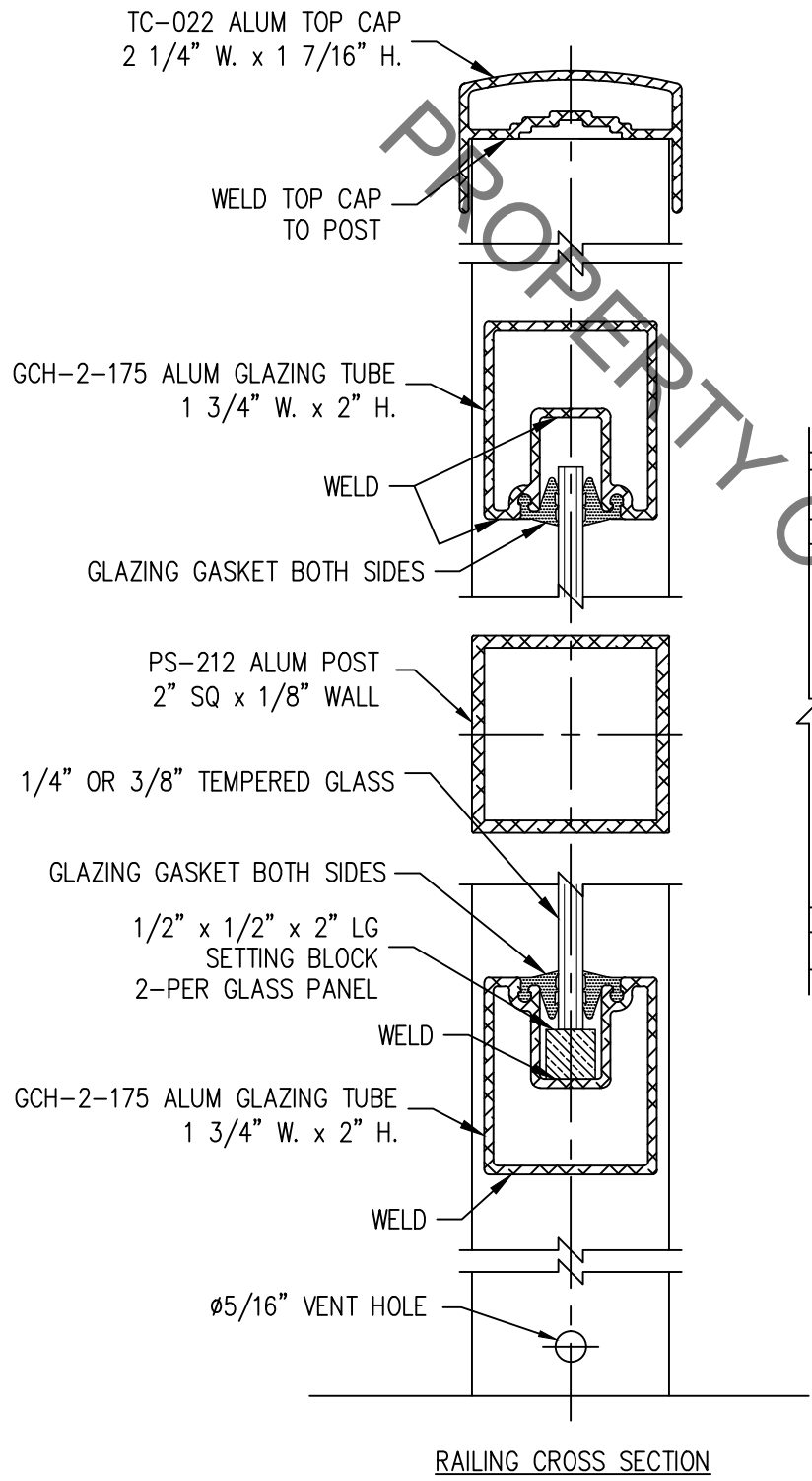


RAILING CROSS SECTION

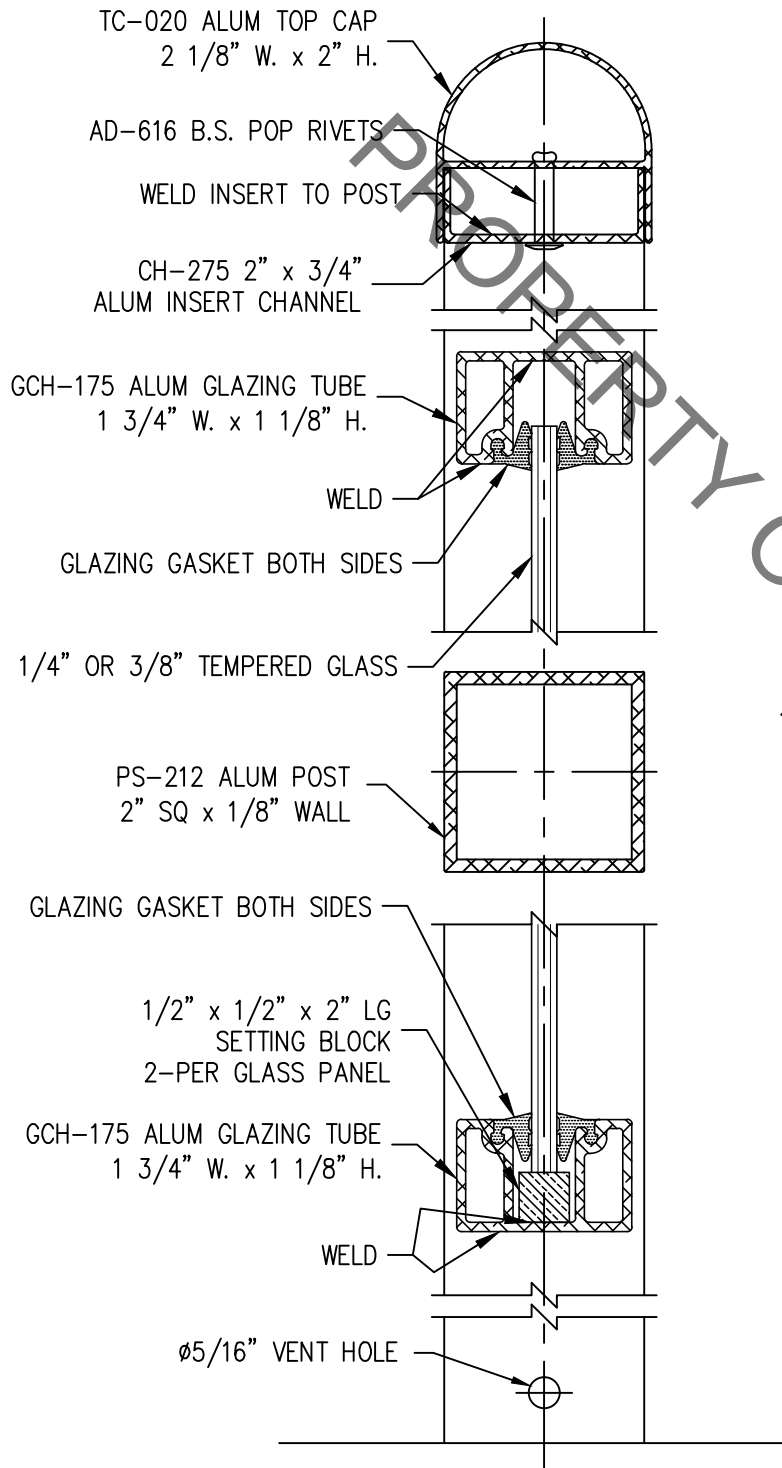


TYPICAL RAILING ELEVATION

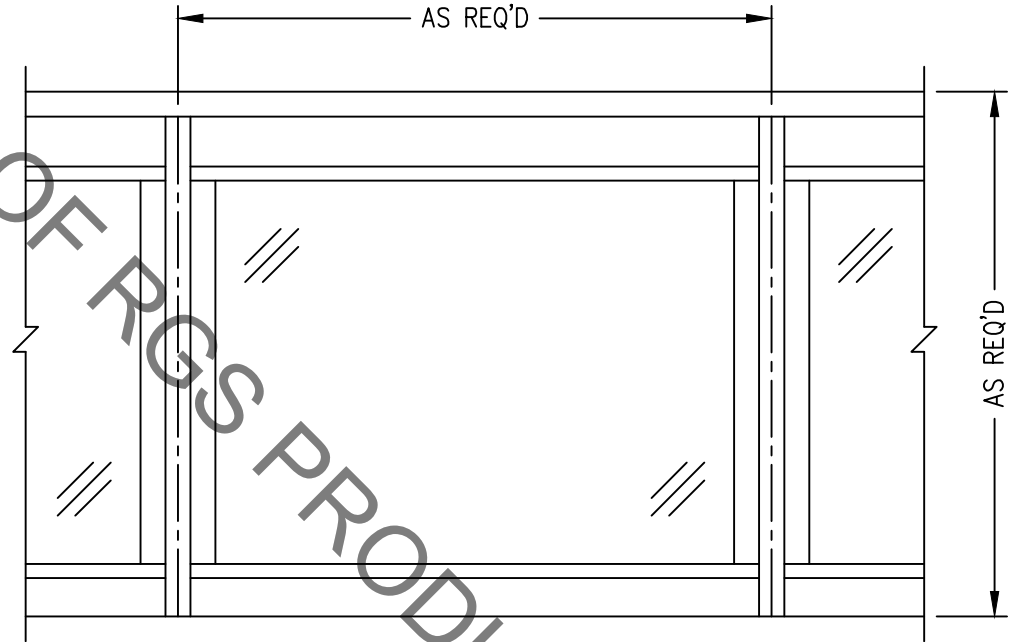
RGSPRODUCTS, INC.		CP-022-175		REV 0	
4550 Old Meadville Rd PH: 814.796.4515 FX: 814.796.4009		RAIL STYLE: CLEARVIEW PROGRESSIVE	DWG NO.	DATE	SHEET 1 of 1



	RAIL STYLE: CLEARVIEW PROGRESSIVE	
	FINISH	SCALE
4550 Old Meadville Rd	DWG No. CP-022-2-175	REV 0
PH: 814.796.4515	DATE	SHEET 1 of 1
FX: 814.796.4009		



RAILING CROSS SECTION



TYPICAL RAILING ELEVATION

RAIL STYLE: CLEARVIEW PROGRESSIVE

4550 Old Meadville Rd

PH: 814.796.4515

FX: 814.796.4009

FINISH

DWG NO. CP-020-175

REV 0

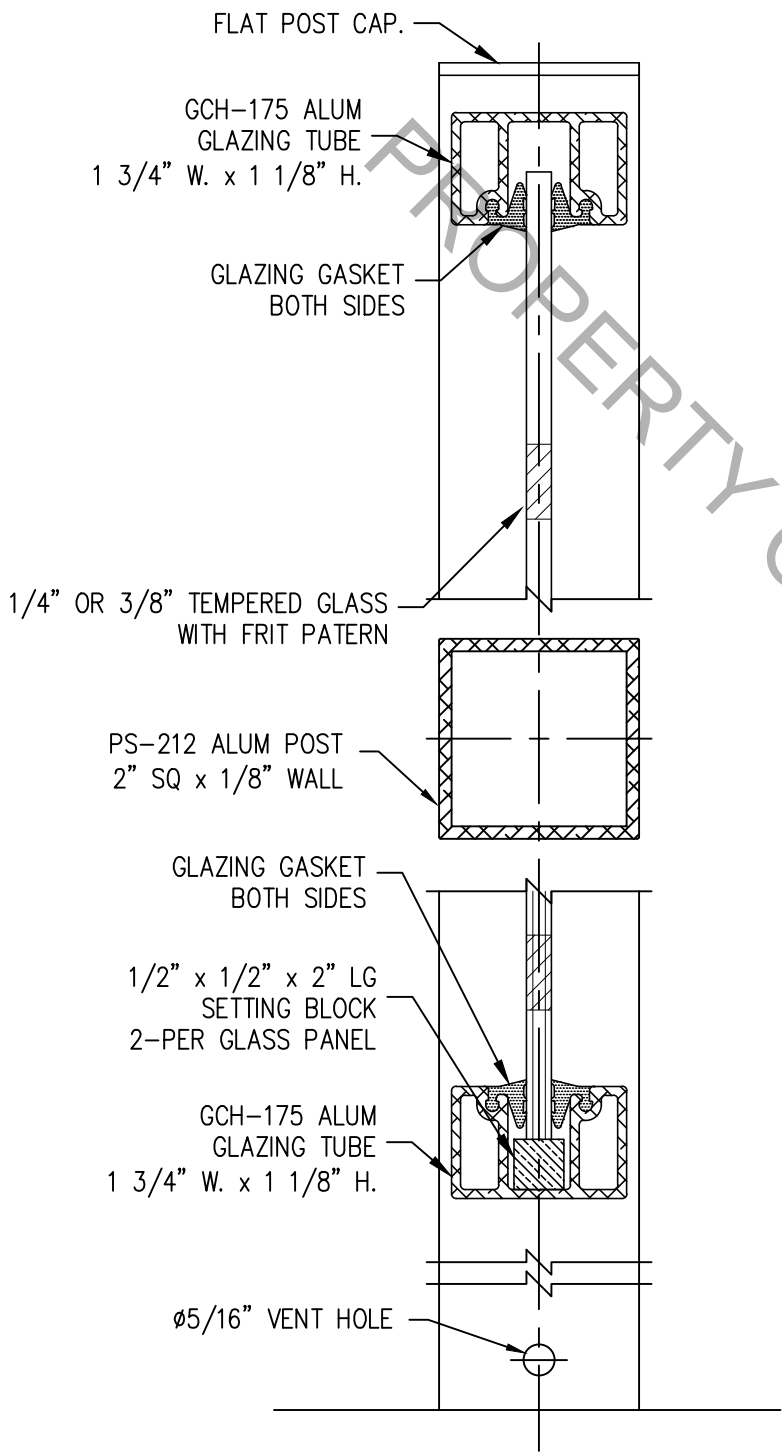
SCALE

DATE

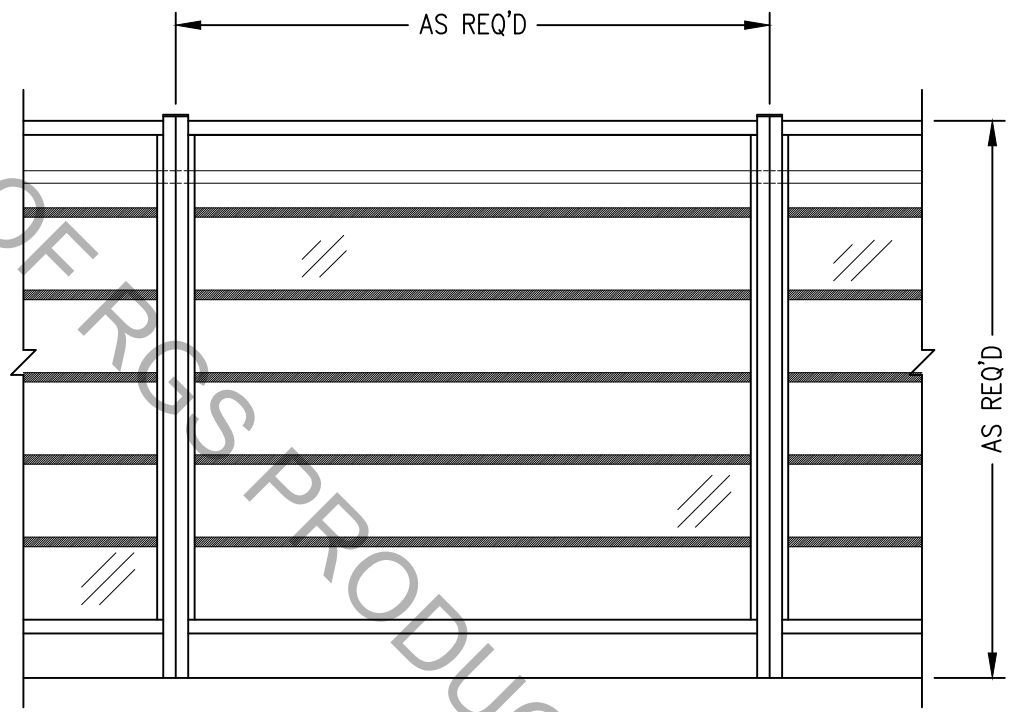
SHEET

1 of 1





RAILING CROSS SECTION



TYPICAL RAILING ELEVATION

RAIL STYLE: CLEARVIEW DARCY PROGRESSIVE		DWG NO. CP-D1-175	REV 0
4550 Old Meadville Rd		FINISH	SCALE
PH: 814.796.4515		DATE	SHEET 1 of 1
FX: 814.796.4009		PRODUCTS, INC.	

