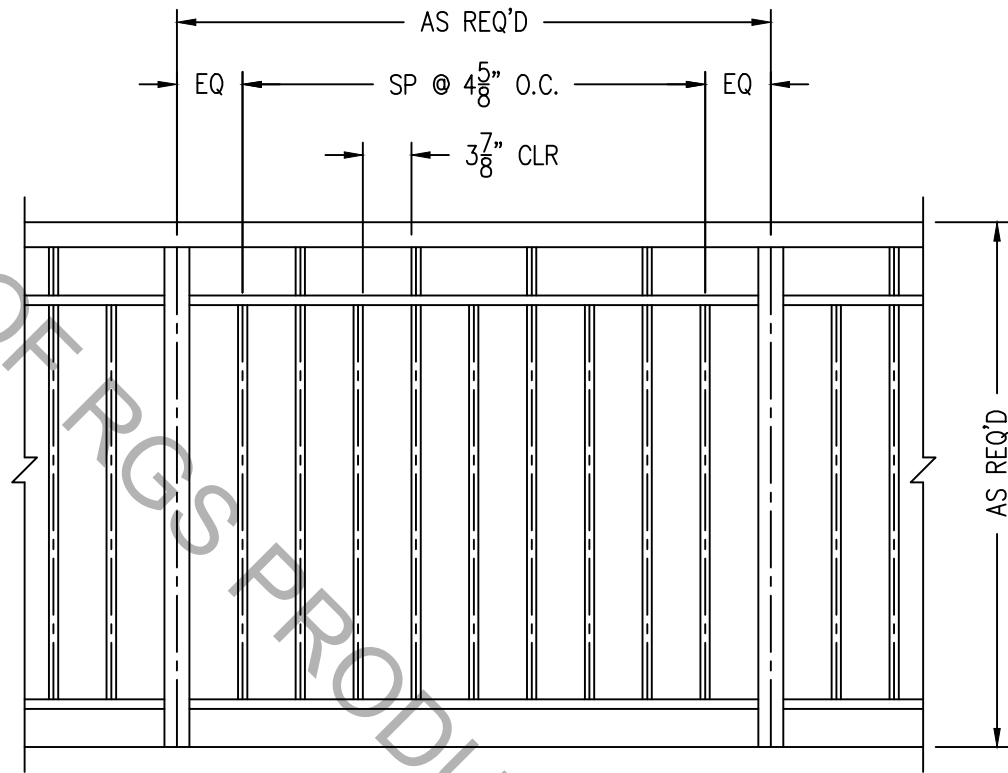


RAILING CROSS SECTION



TYPICAL RAILING ELEVATION

RAIL STYLE: PROGRESSIVE W/PASS THRU PICKET	
FINISH	DWG NO. P-020-P
SCALE	REV 0
DATE	SHEET 1 of 1

4550 Old Meadville Rd  
 PH: 814.796.4515  
 FX: 814.796.4009



TC-022 ALUM TOP CAP  
2 1/4" W. x 1 7/16" H.

WELD TOP CAP  
TO POST

CH-275W 2" x 3/4"  
ALUM INTERM. CHANNEL

WELD INTERM. RAIL  
TO POST

WELD PICKET 2-SIDES

SC-206 SNAP CAP OPTIONAL  
ROTATE INTERM. RAIL IF USED

PS-212 ALUM POST  
2" SQ x 1/8" WALL

PK-075 ALUM PICKET  
3/4" SQ @ 4 5/8" O.C.

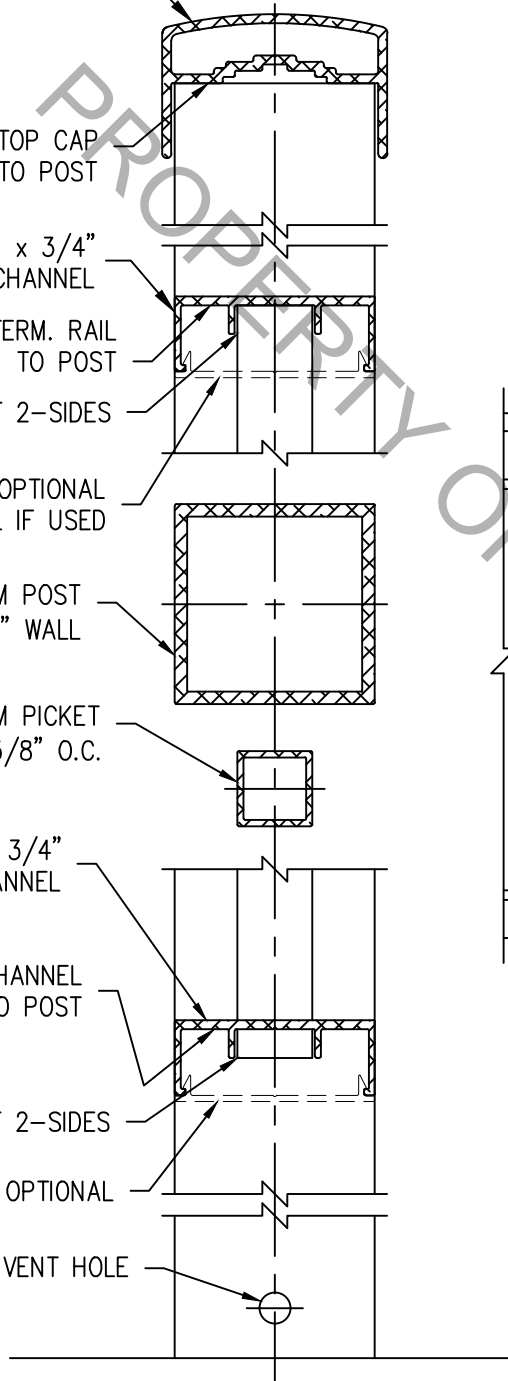
CH-275W 2" x 3/4"  
ALUM BOTTOM CHANNEL

WELD BOTTOM CHANNEL  
TO POST

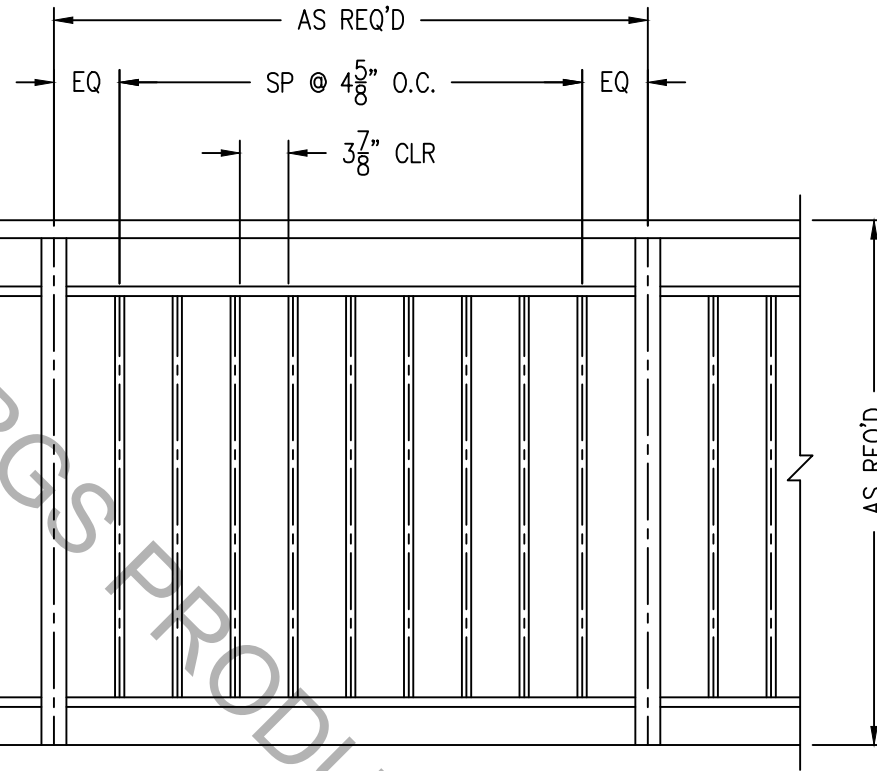
WELD PICKET 2-SIDES

SC-206 SNAP CAP OPTIONAL

ø5/16" VENT HOLE



RAILING CROSS SECTION



TYPICAL RAILING ELEVATION

RAIL STYLE: PROGRESSIVE

4550 Old Meadville Rd

PH: 814.796.4515

FX: 814.796.4009

DWG NO. P-022

REV 0

DATE

SCALE

SHEET

1 of 1



TC-022 ALUM TOP CAP  
2 1/4" W. x 1 7/16" H.

WELD TOP CAP  
TO POST

CH-275W 2" x 3/4"  
ALUM INTERM. CHANNEL

WELD INTERM. RAIL  
TO POST

WELD PICKET 2-SIDES

SC-206 SNAP CAP OPTIONAL  
ROTATE INTERM. RAIL IF USED

PS-212 ALUM POST  
2" SQ x 1/8" WALL

PK-075 ALUM PICKET  
3/4" SQ @ 4 5/8" O.C.

CH-275W 2" x 3/4"  
ALUM BOTTOM CHANNEL

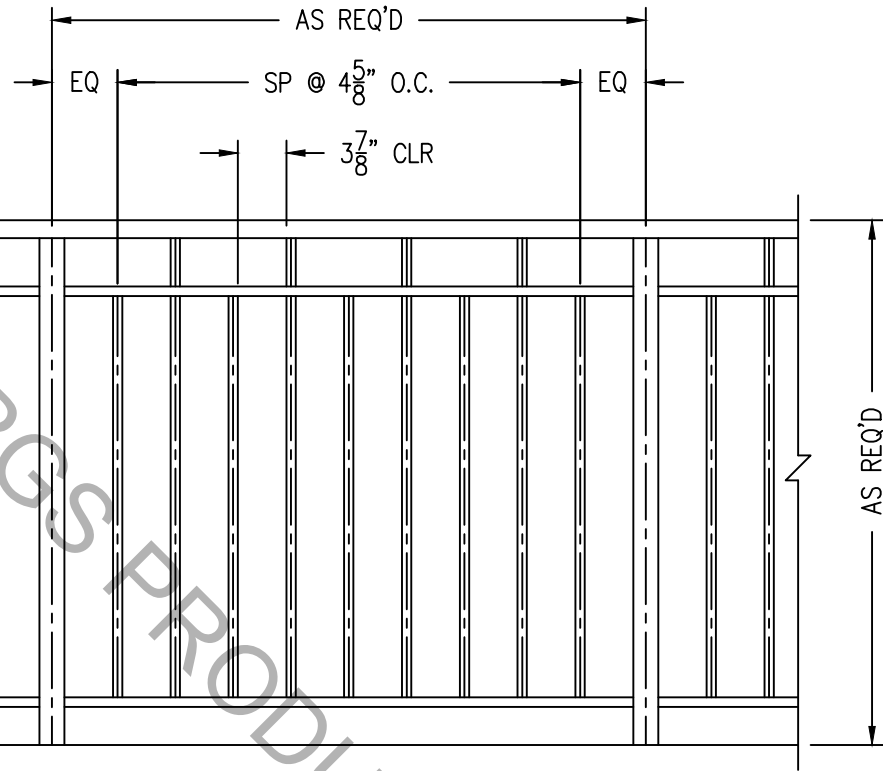
WELD BOTTOM CHANNEL  
TO POST

WELD PICKET 2-SIDES

SC-206 SNAP CAP OPTIONAL

ø5/16" VENT HOLE

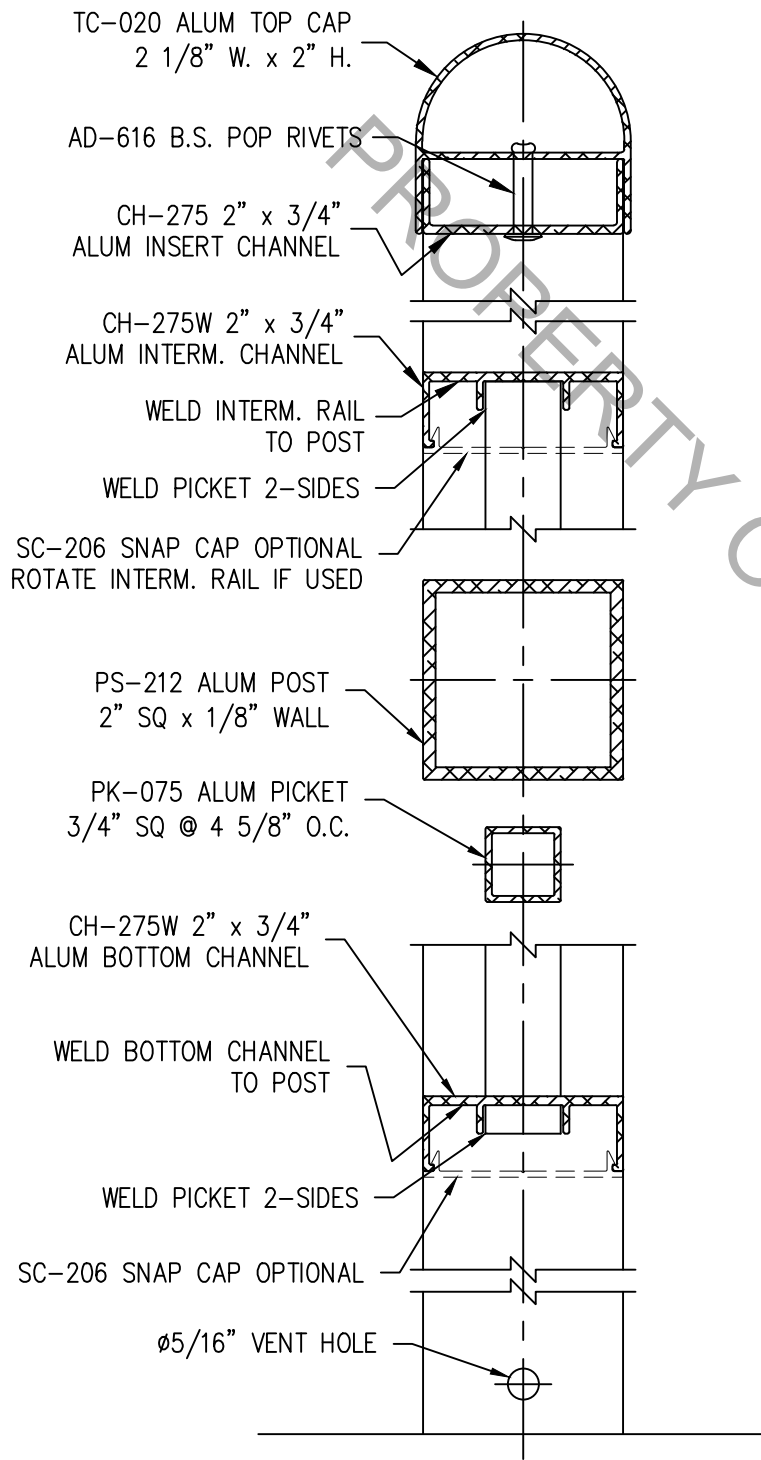
RAILING CROSS SECTION



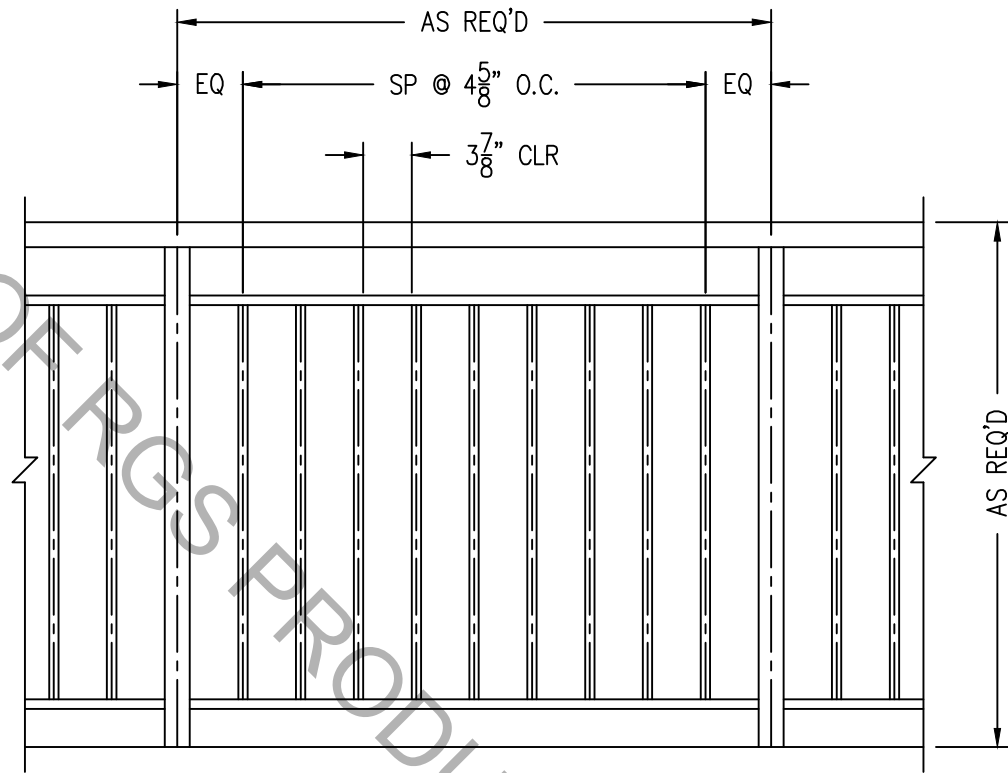
RAIL STYLE: PROGRESSIVE W/PASS THRU PICKET	
FINISH	DWG NO. P-022-P
SCALE	REV 0
DATE	SHEET 1 of 1

4550 Old Meadville Rd  
PH: 814.796.4515  
FX: 814.796.4009





RAILING CROSS SECTION



TYPICAL RAILING ELEVATION

PROGRESSIVE

RAIL STYLE:

4550 Old Meadville Rd

REV 0

P-020

DWG NO.

DATE

SCALE

PH: 814.796.4515

FX: 814.796.4009

SHEET 1 of 1

