

TC-020 ALUM TOP CAP
2 1/8" W. x 2" H.

WELD PICKET 2-SIDES

WELD INSERT TO POST

CH-275W 2" x 3/4"
ALUM INSERT CHANNEL

AD-616 B.S. POP RIVETS

PS-212 ALUM POST
2" SQ x 1/8" WALL

PK-075 ALUM PICKET
3/4" SQ @ 4 5/8" O.C.

CH-275W 2" x 3/4"
ALUM BOTTOM CHANNEL

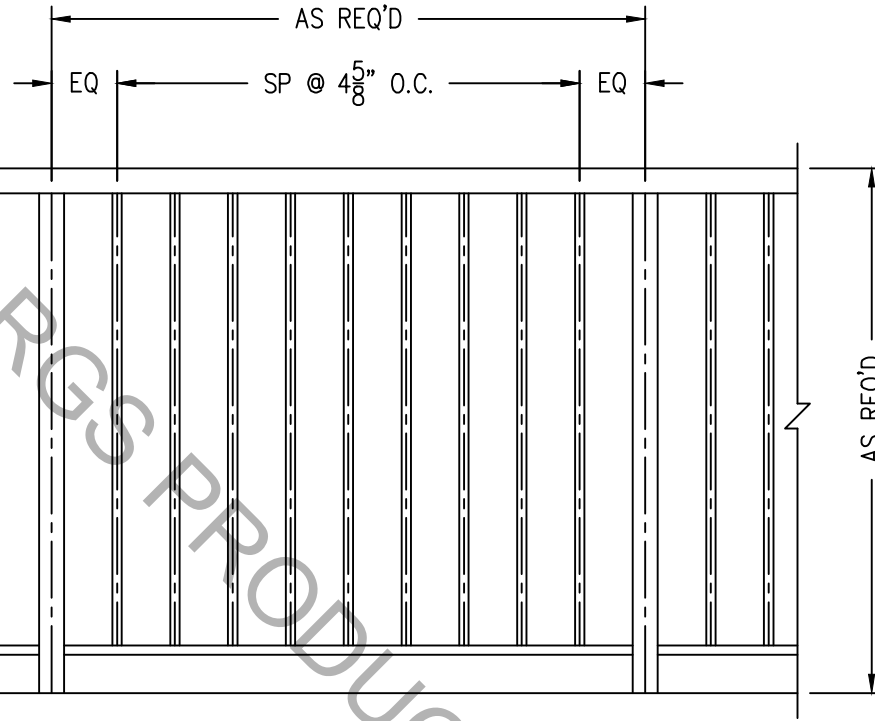
WELD BOTTOM CHANNEL
TO POST

SC-206 SNAP CAP OPTIONAL

WELD PICKET 2-SIDES

Ø5/16" VENT HOLE

RAILING CROSS SECTION



TYPICAL RAILING ELEVATION

TRADITIONAL

RAIL STYLE:

4550 Old Meadville Rd

REV 0

T-020

DWG NO.

DATE

SHEET

1

OF 1

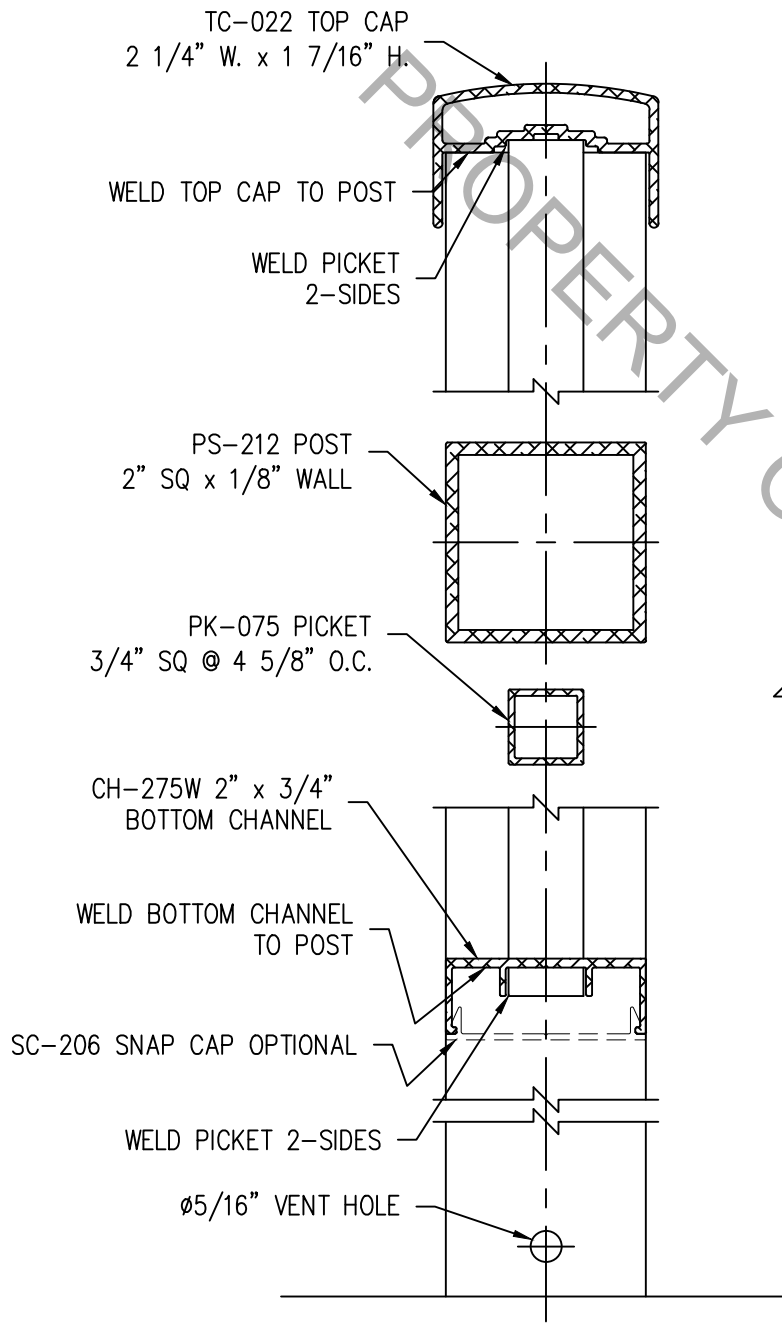
FINISH

PH: 814.796.4515

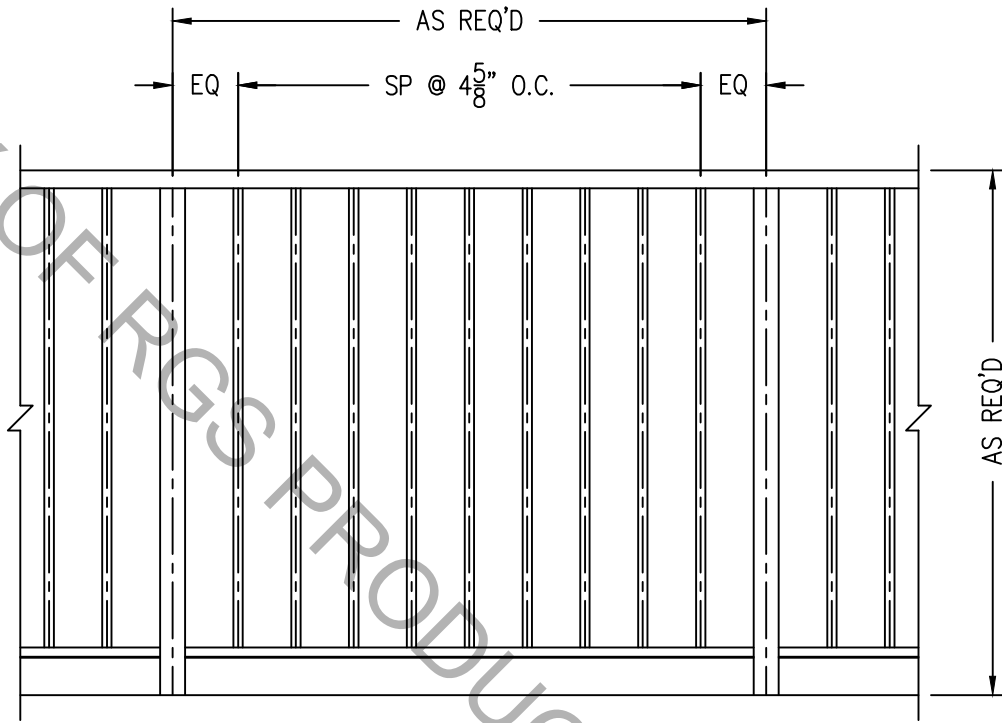
FX: 814.796.4009

SCALE





RAILING CROSS SECTION



TYPICAL RAILING ELEVATION

RAIL STYLE: TRADITIONAL

4550 Old Meadville Rd

PH: 814.796.4515

FX: 814.796.4009

FINISH

DWG NO. T-022

REV 0

SCALE

DATE

SHEET

1 of 1

