

RAIL STYLE: VELOCITY MESH

4550 Old Meadville Rd

PH: 814.796.4515

FX: 814.796.4009

FINISH

DWG NO.

VM-020

REV 0

SCALE

DATE

SHEET

1 of 1



TC-022 ALUM TOP CAP
2 1/4" W. x 1 7/16" H.

WELD TOP CAP TO POST

2" x 1" x 1/8"
ALUM TUBE INTERM.

WELD

3/4" x 1" x 1/8" ALUM
FRAMING CHANNEL

2" SQ OPENING, ϕ 1/4" WIRE
LOCKCRIMP WEAVE ALUM MESH

PS-212 ALUM POST
2" SQ x 1/8" WALL

3/4" x 1" x 1/8" ALUM
FRAMING CHANNEL

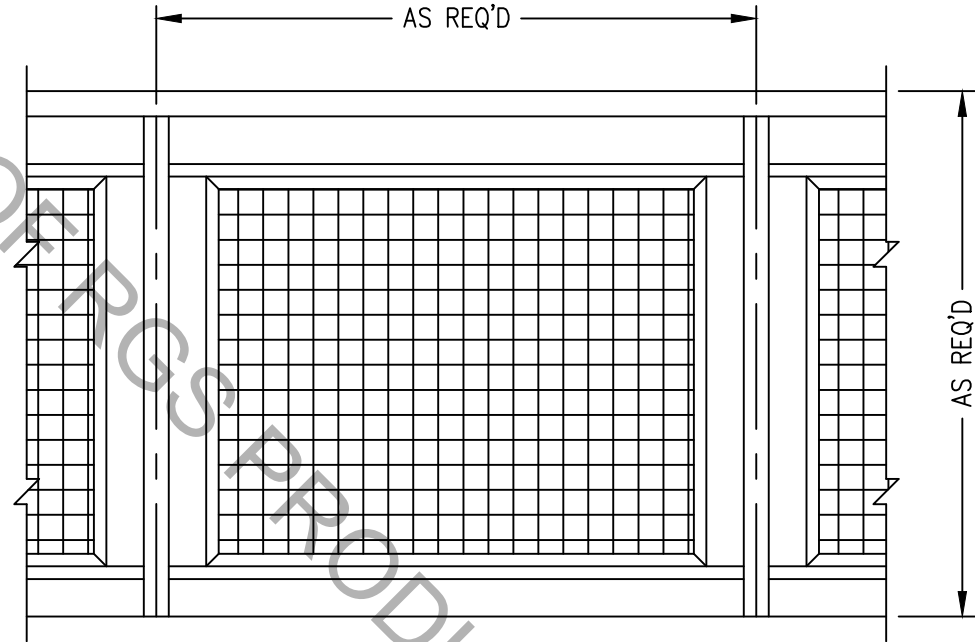
WELD

2" x 1" x 1/8" ALUM
TUBE BOTTOM RAIL

WELD

ϕ 5/16" VENT HOLE

RAILING CROSS SECTION



TYPICAL RAILING ELEVATION

RAIL STYLE: VELOCITY MESH PROGRESSIVE

FINISH

PH: 814.796.4515

FX: 814.796.4009

DWG NO.

VMP-022

REV 0

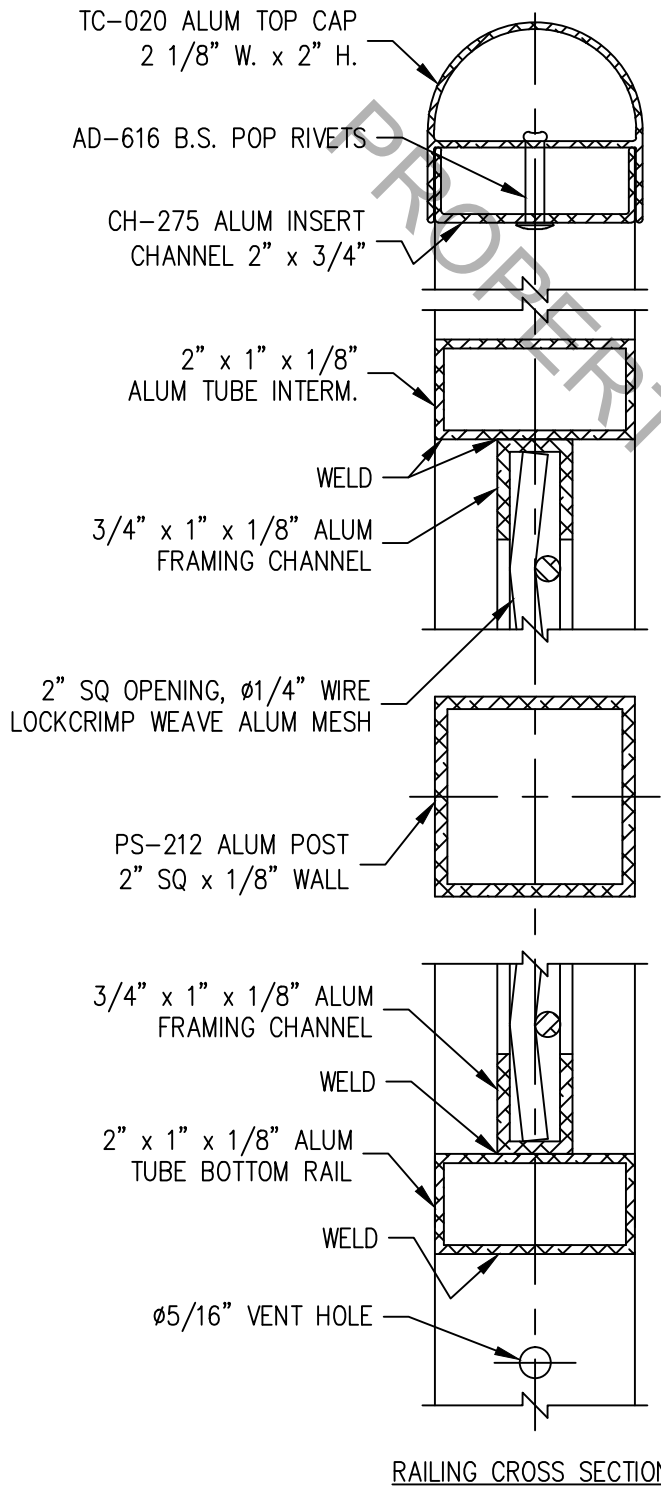
DATE

SHEET

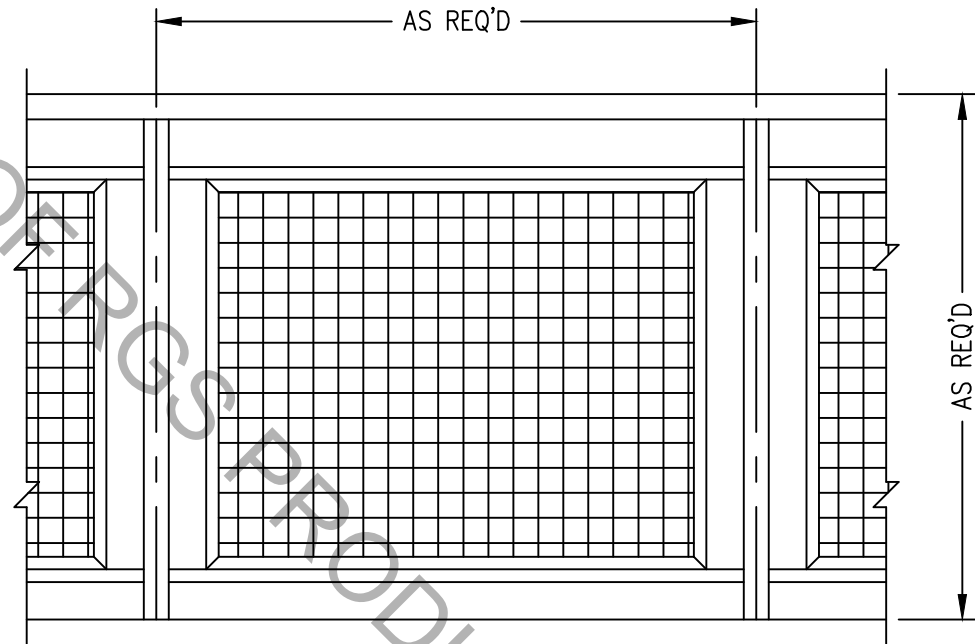
1 of 1

4550 Old Meadville Rd





RAILING CROSS SECTION



TYPICAL RAILING ELEVATION

RAIL STYLE: VELOCITY MESH PROGRESSIVE

FINISH

DWG NO.

VMP-020

REV 0

SCALE

DATE

SHEET

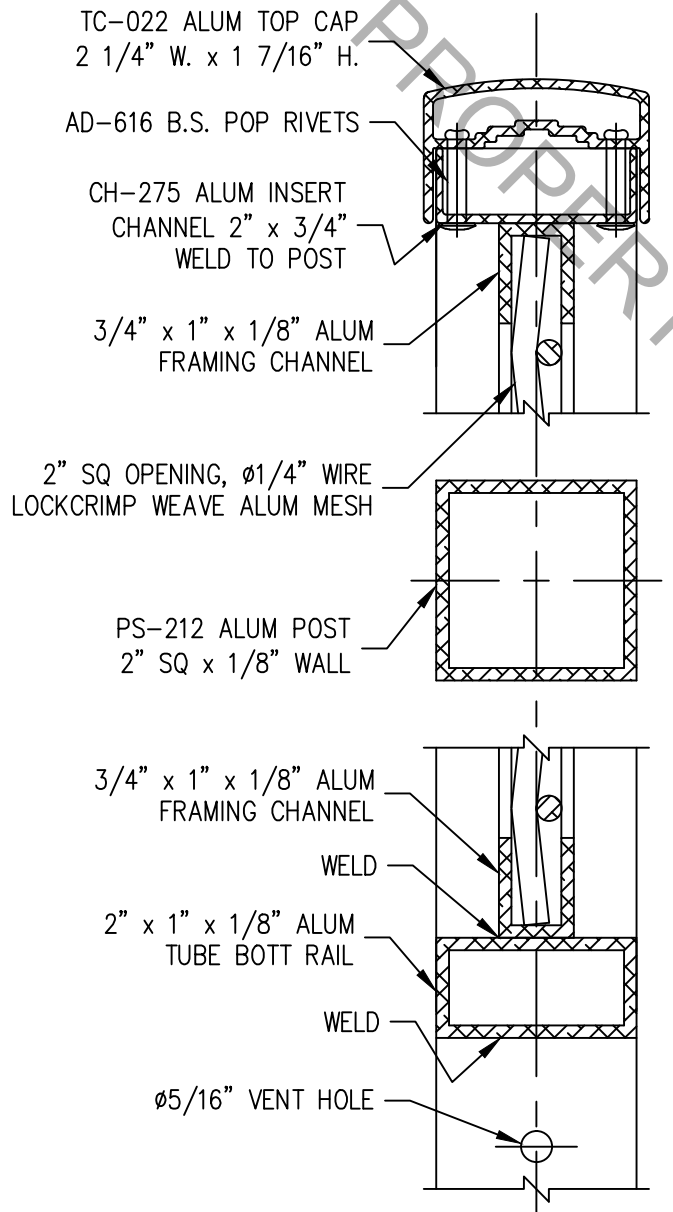
1 of 1

4550 Old Meadville Rd

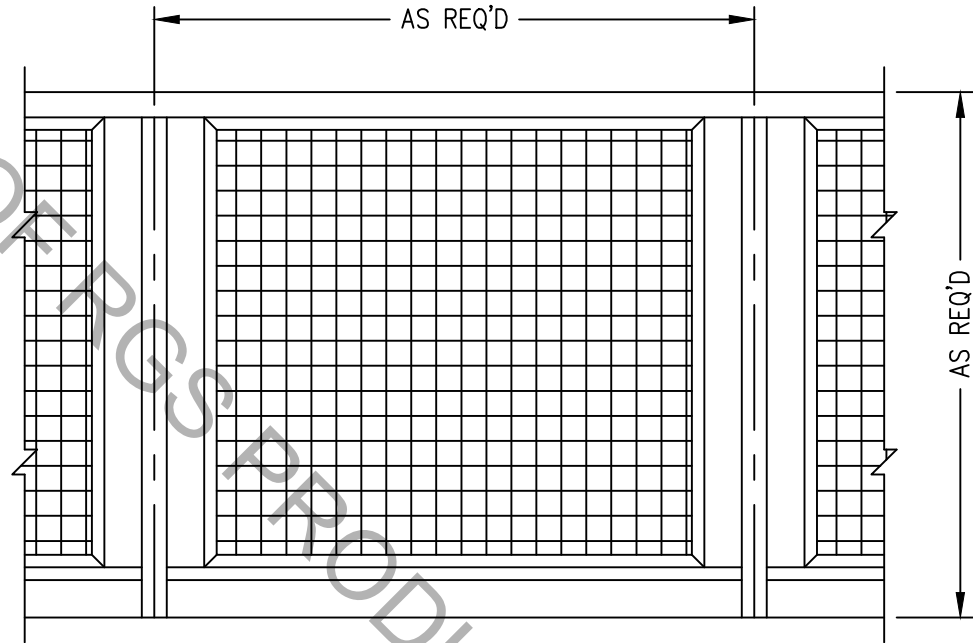
PH: 814.796.4515

FX: 814.796.4009





RAILING CROSS SECTION



TYPICAL RAILING ELEVATION

RAIL STYLE: VELOCITY MESH

4550 Old Meadville Rd

PH: 814.796.4515

FX: 814.796.4009

FINISH

DWG NO.

VM-022

REV 0

SCALE

DATE

SHEET

1 of 1

