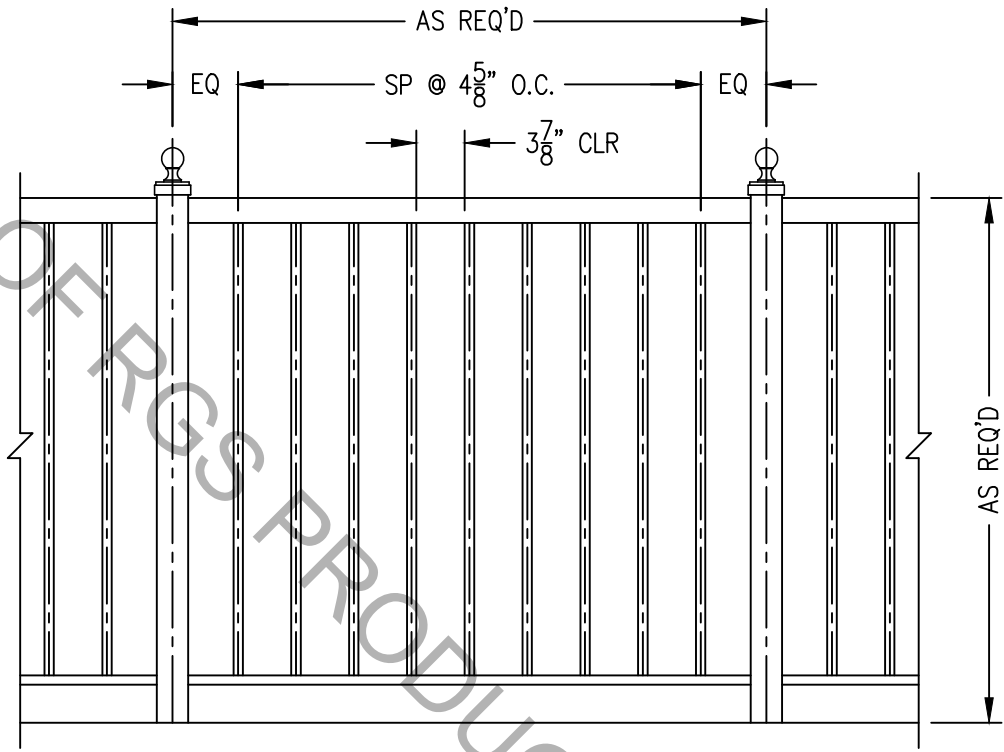
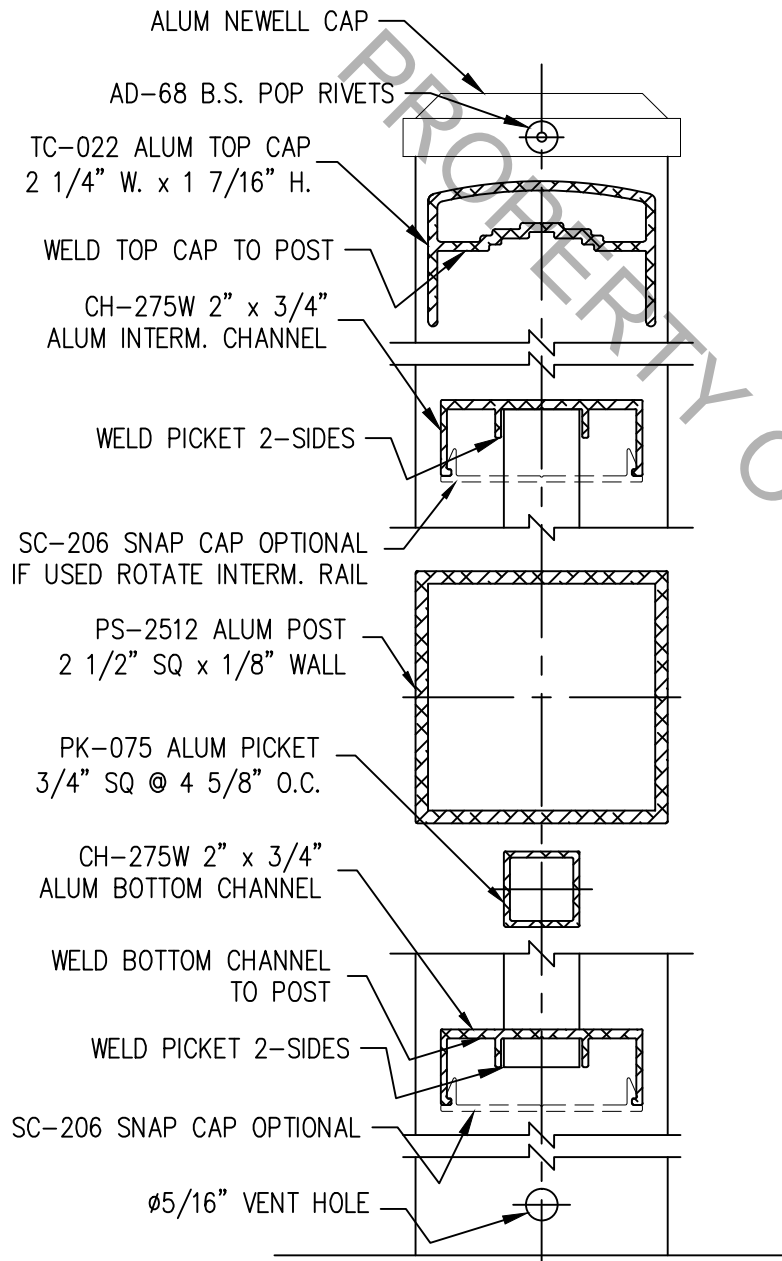


RAILING CROSS SECTION

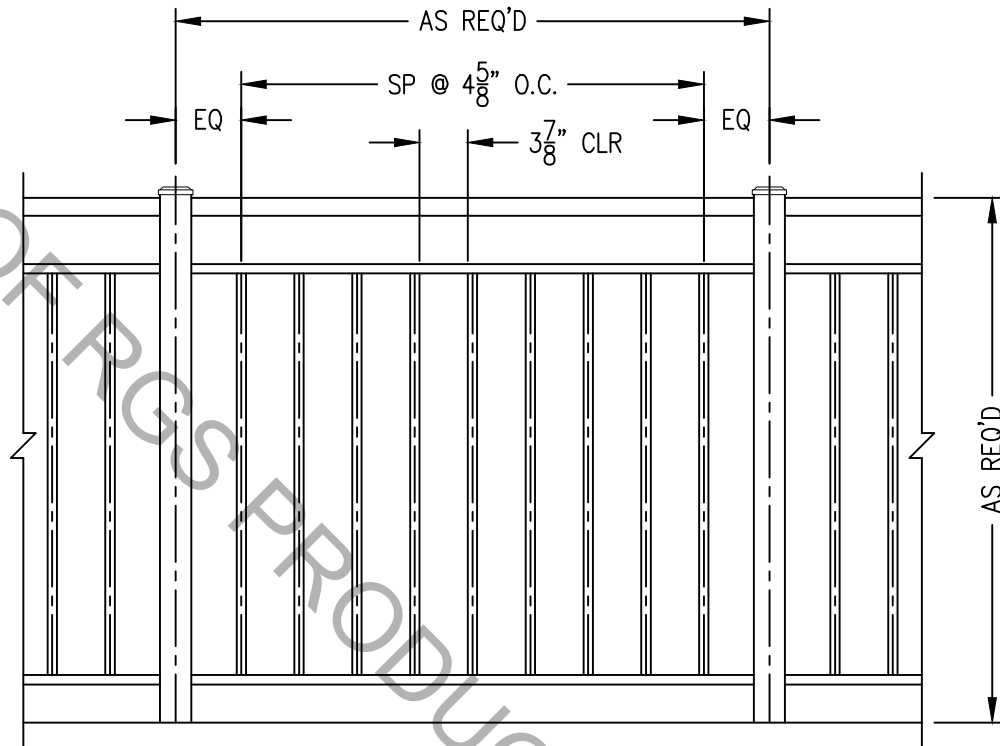


TYPICAL RAILING ELEVATION

RGSPRODUCTS, INC.		VICTORIAN W/BALL CAP	
4550 Old Meadville Rd PH: 814.796.4515 FX: 814.796.4009	RAIL STYLE: FINISH: SCALE:	DWG NO. V-020-BC DATE:	REV 0 SHEET 1 of 1



RAILING CROSS SECTION

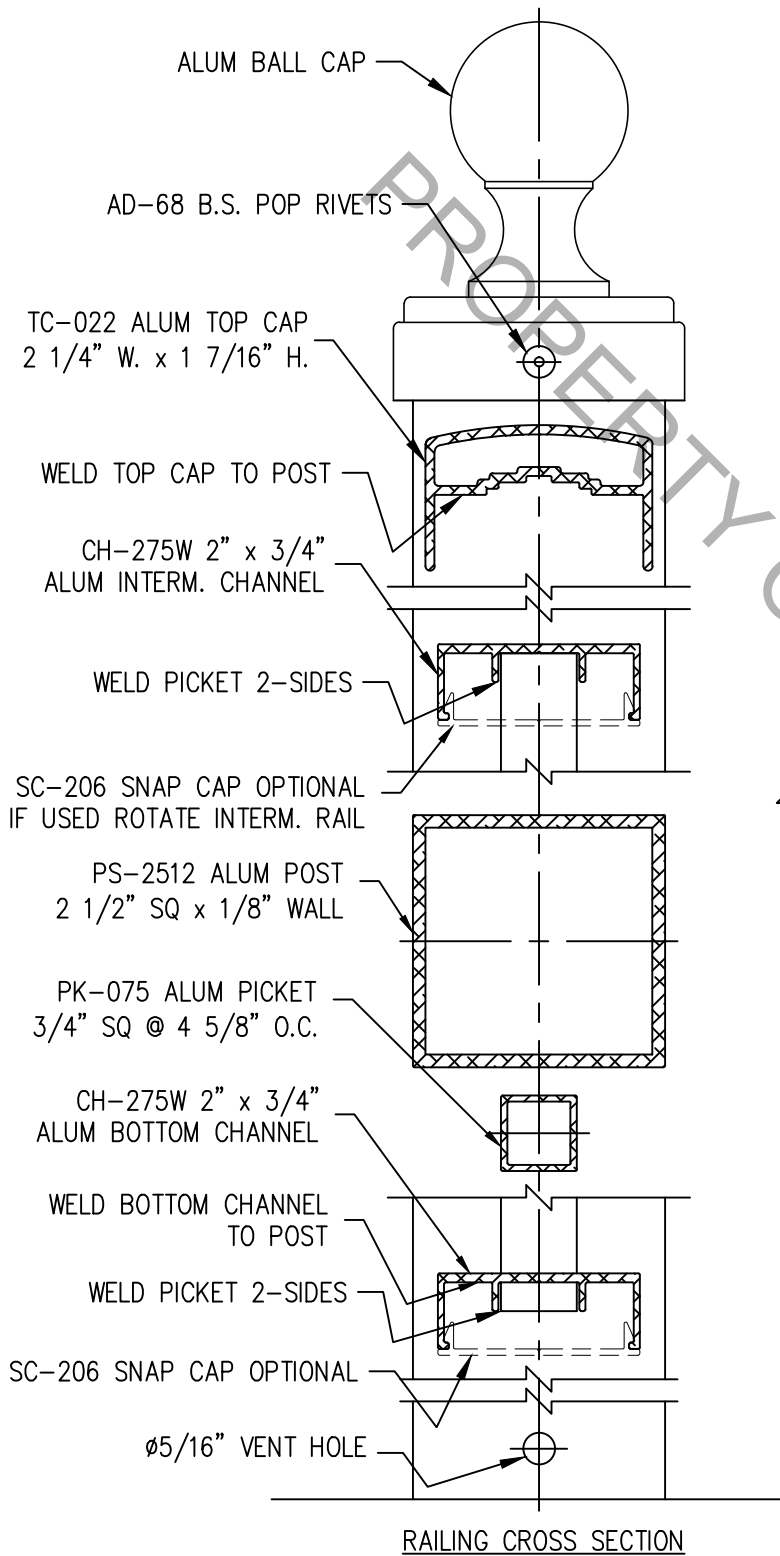


TYPICAL RAILING ELEVATION

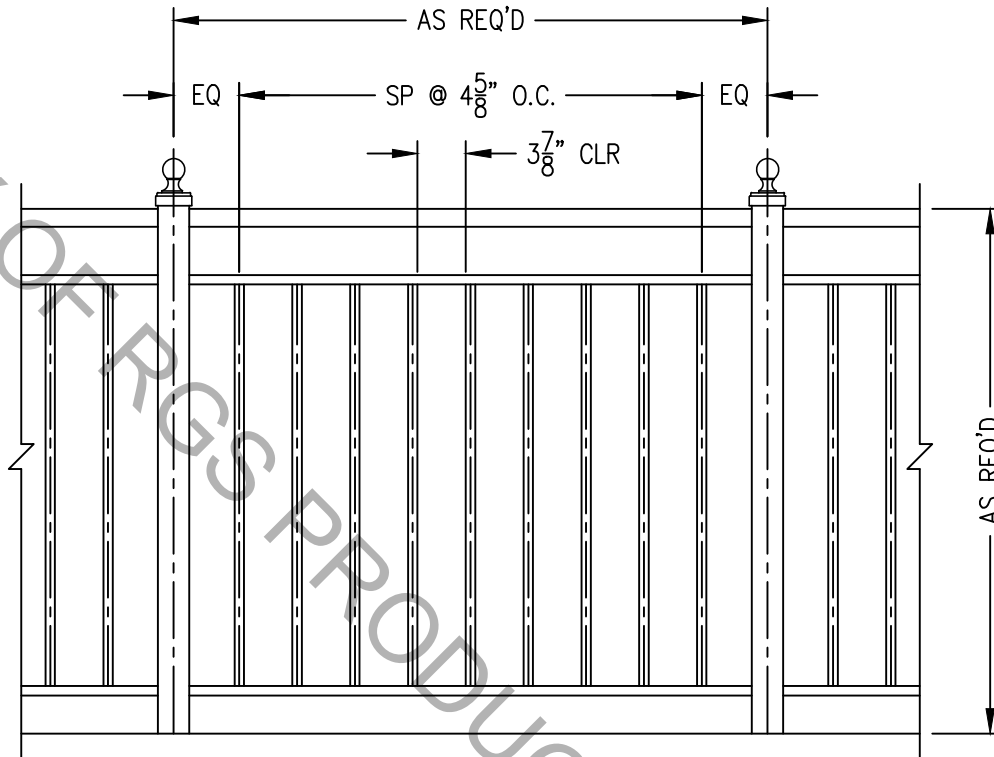
RAIL STYLE: VICTORIAN PROGRESSIVE W/NEWEL CAP		REV 0
FINISH	DWG NO. VP-022-N	SHEET 1 of 1
SCALE	DATE	

4550 Old Meadville Rd
 PH: 814.796.4515
 FX: 814.796.4009





RAILING CROSS SECTION

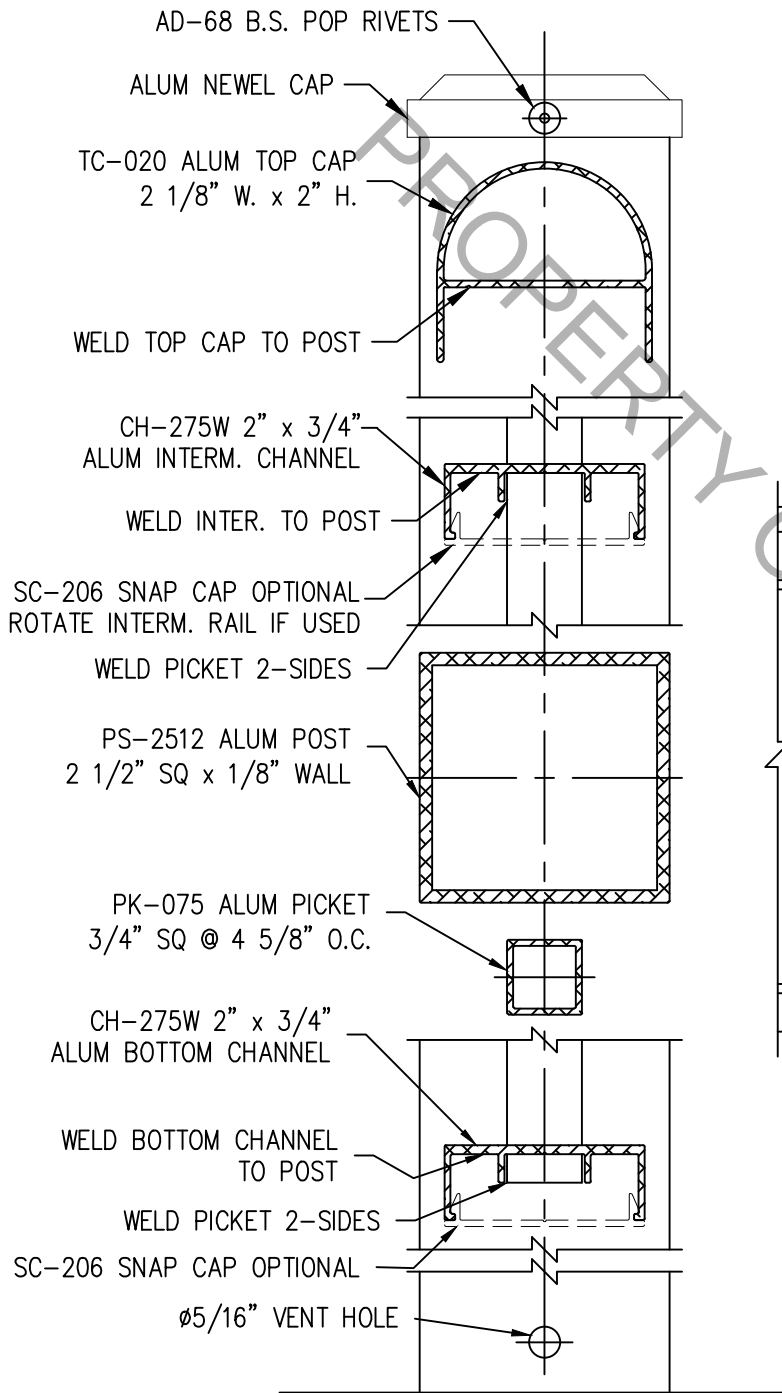


TYPICAL RAILING ELEVATION

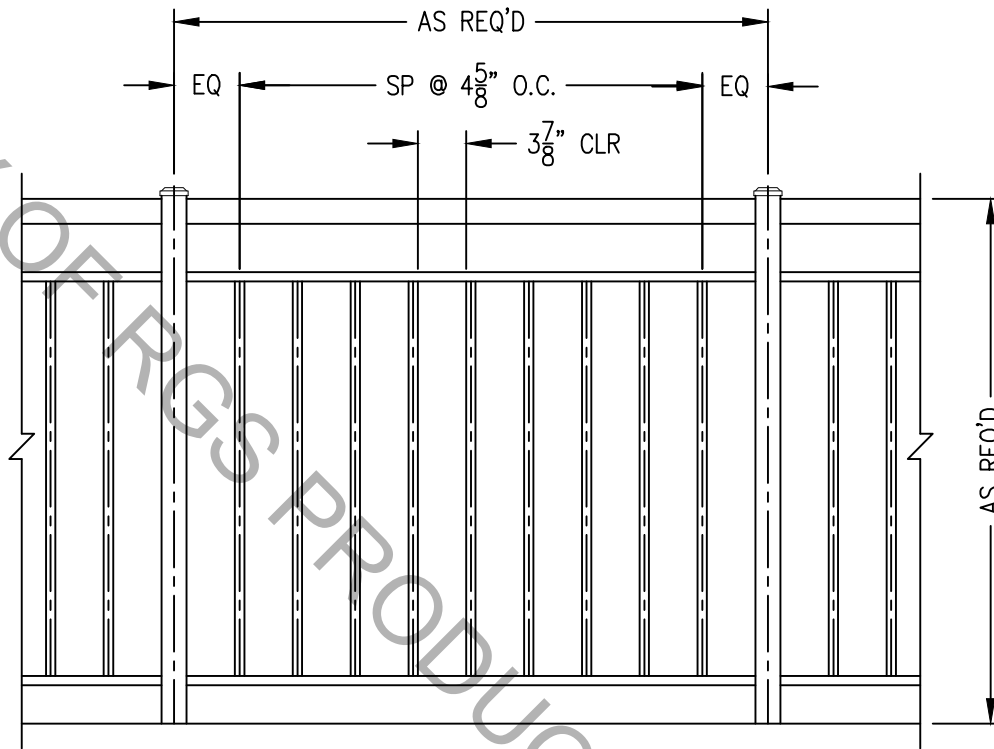
RAIL STYLE: VICTORIAN PROGRESSIVE W/BALL CAP	
FINISH	DWG NO. VP-022-BC
SCALE	REV 0
DATE	SHEET 1 of 1

4550 Old Meadville Rd
 PH: 814.796.4515
 FX: 814.796.4009





RAILING CROSS SECTION

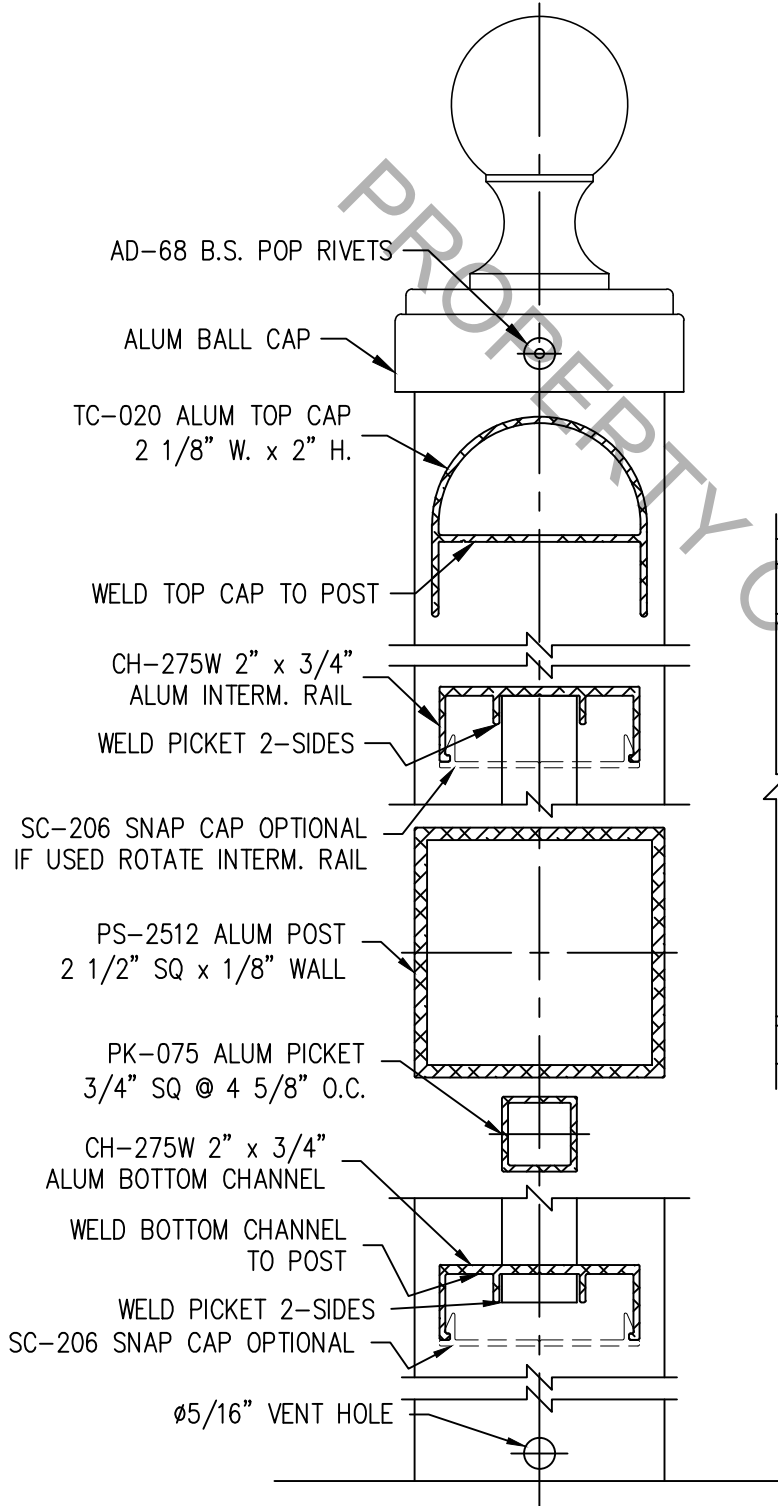


TYPICAL RAILING ELEVATION

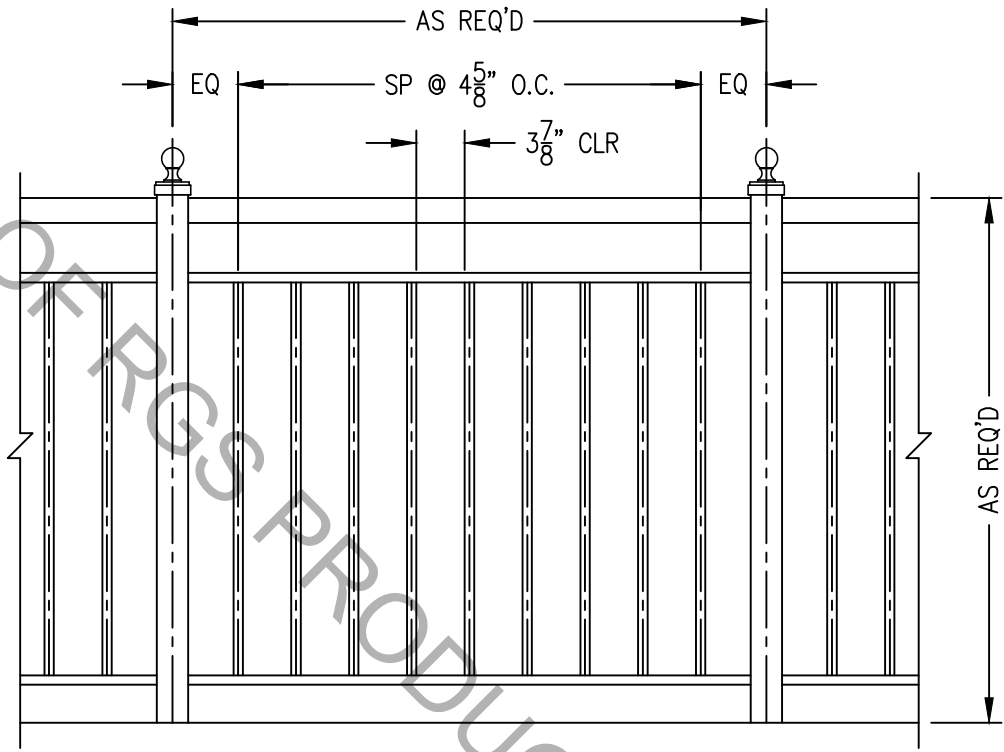
RAIL STYLE: VICTORIAN PROGRESSIVE W/NEWEL CAP	
FINISH	DWG NO. VP-020-N
SCALE	REV 0
DATE	SHEET 1 of 1

4550 Old Meadville Rd
 PH: 814.796.4515
 FX: 814.796.4009




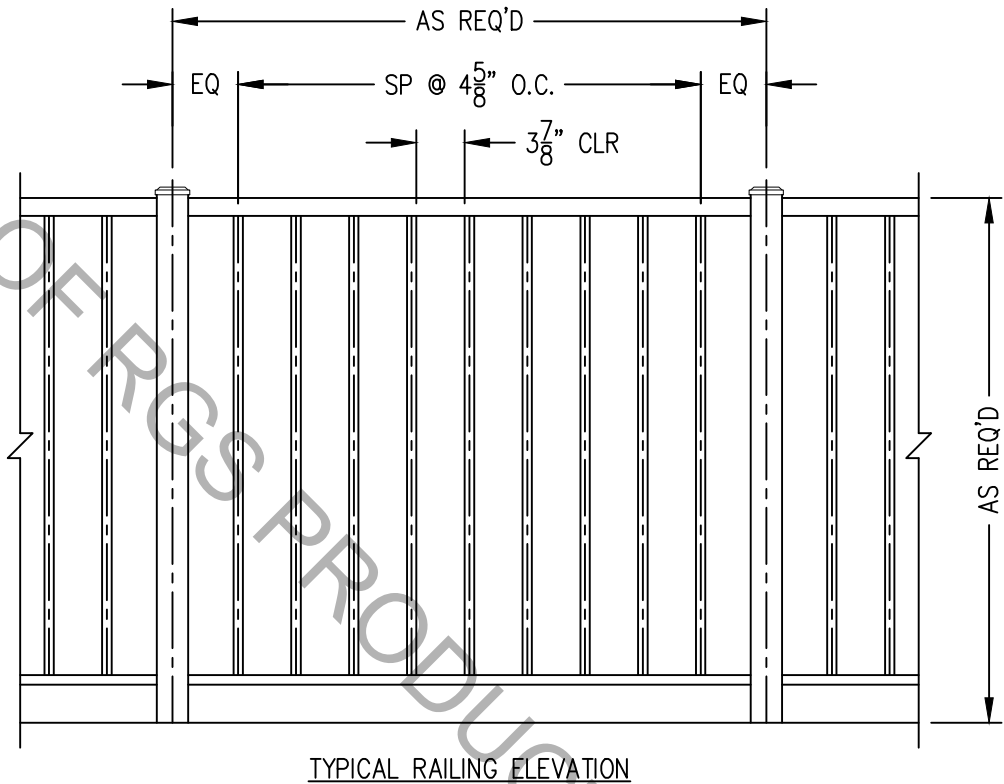
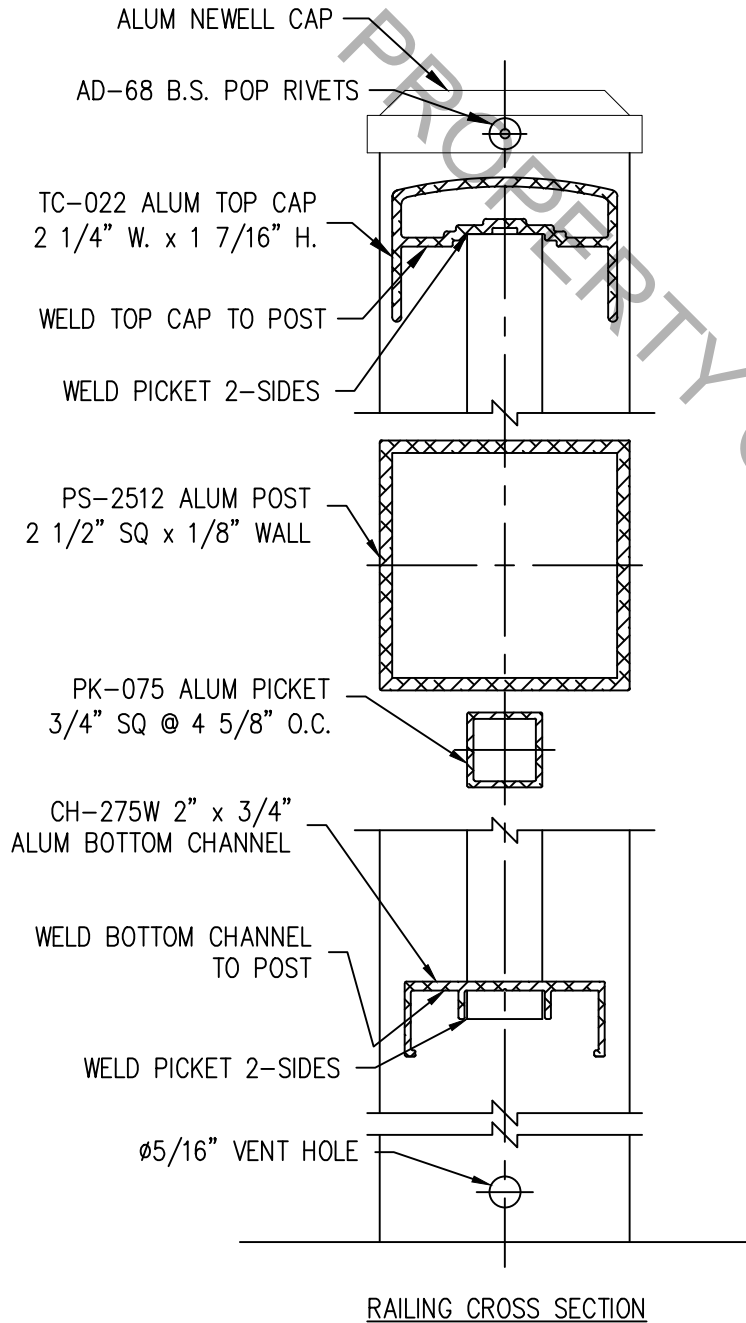



RAILING CROSS SECTION

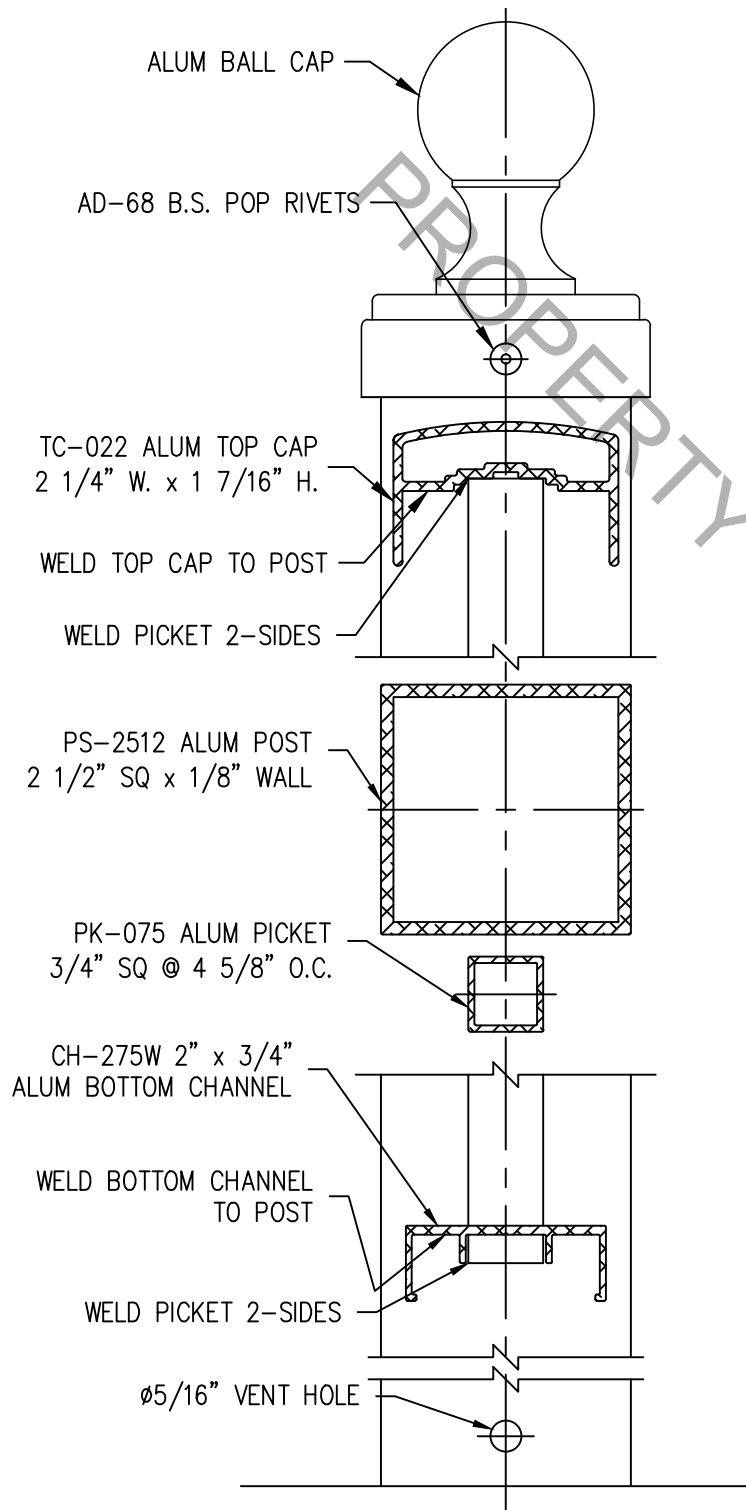


TYPICAL RAILING ELEVATION

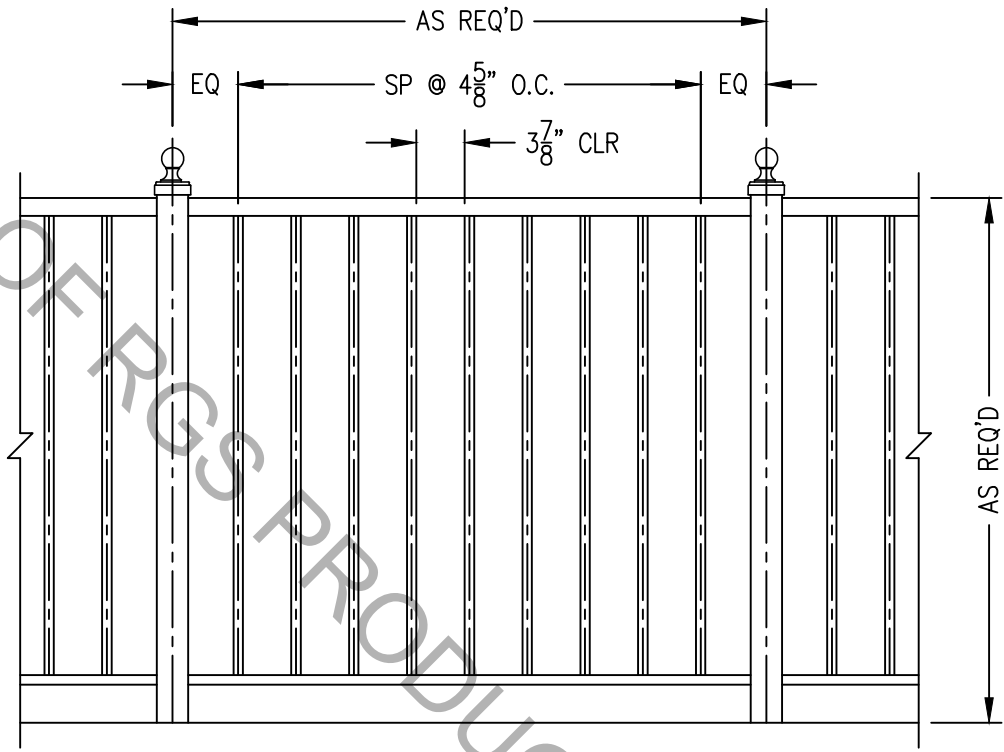
		RAIL STYLE: VICTORIAN PROGRESSIVE W/BALL CAP	
4550 Old Meadville Rd PH: 814.796.4515 FX: 814.796.4009	FINISH VP-020-BC	DWG NO. VP-020-BC	REV 0 SHEET 1 of 1



		
RAIL STYLE: VICTORIAN W/NEWELL CAP	DWG NO. V-022-N	REV 0
FINISH	DATE	SHEET 1 of 1
4550 Old Meadville Rd PH: 814.796.4515 FX: 814.796.4009		

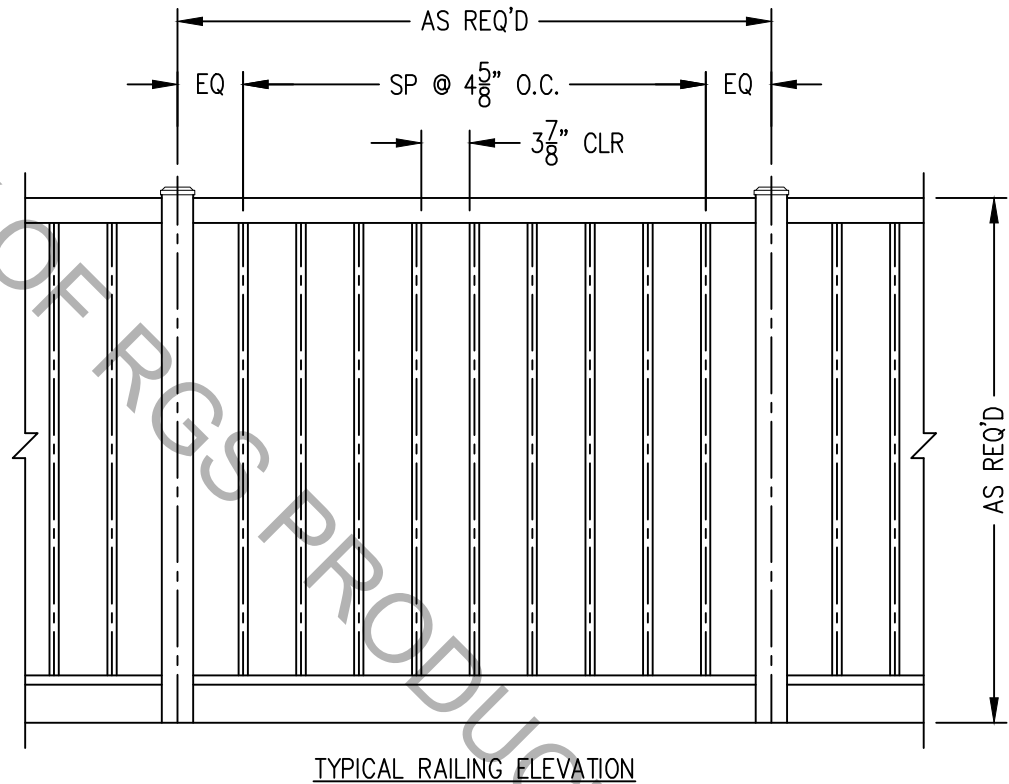
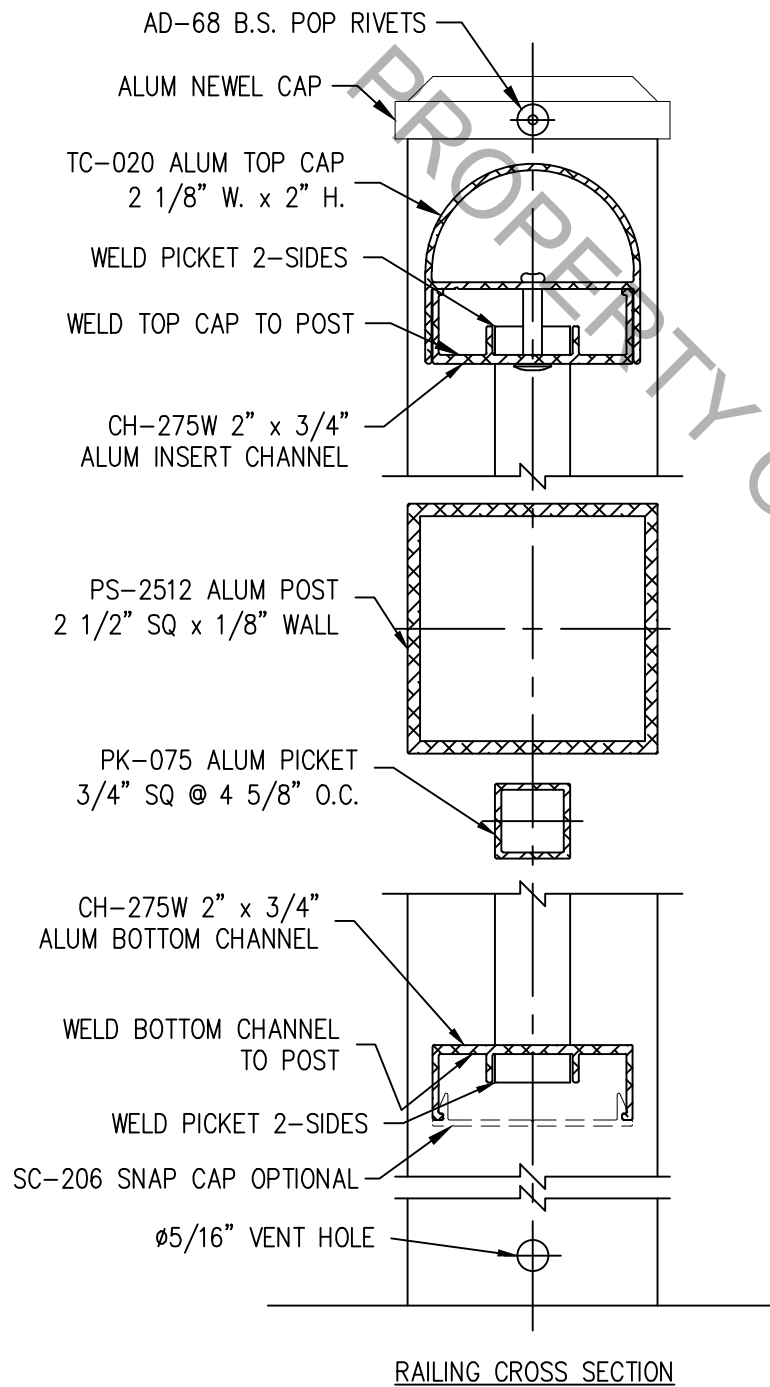


RAILING CROSS SECTION



TYPICAL RAILING ELEVATION

		VICTORIAN W/BALL CAP	
		RAIL STYLE:	DWG NO. V-022-BC
4550 Old Meadville Rd		FINISH	REV 0
PH: 814.796.4515		SCALE	SHEET 1 of 1
FX: 814.796.4009		DATE	



RAIL STYLE: VICTORIAN W/NEWEL CAP		DWG NO. V-020-N	REV 0
4550 Old Meadville Rd		FINISH	SCALE
PH: 814.796.4515		DATE	SHEET 1 of 1
FX: 814.796.4009		SHEET 1 of 1	

RG
PRODUCTS, INC.